

XMV MAGNETIC CONNECTOR SERIES

FEATURES:

- RJ Top Entry Magnetic Connectors
- Available 1x1, 1x2, 1x4, 1x6 and 1x8 Ports
- Available with and without Magnetics
- Available with and without LEDs
- Optional 10/100Mbps, 1 Gigabit or 10 Gigabit
- Through Hole & SMT Contacts
- High Performance with Max. EMI Suppression
- HI-POT & functionality are 100% Electrically Tested
- Minimum of 750 to 1000 Insertion Cycles
- Applications Include: Server, Hub, Desktop Pc, Switch, LCD, TV, STB, Amplifier, AV Center, POS, Printer, Projector, Camera Systems



ELECTRICAL AND PERFORMANCE:

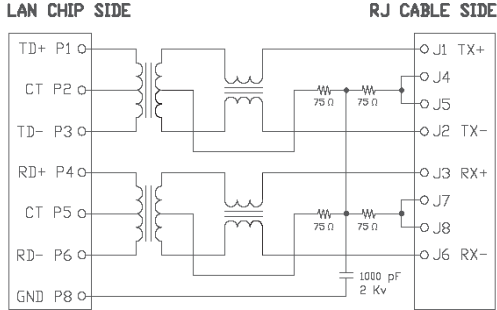
- 350uH Minimum OCL with 8 mA bias
- Meet or exceed IEEE 802.3 and IEEE 802.3ab Standard
- Minimum 1500Vrms Isolation Per 802.3 Requirements

GENERAL SPECIFICATION:

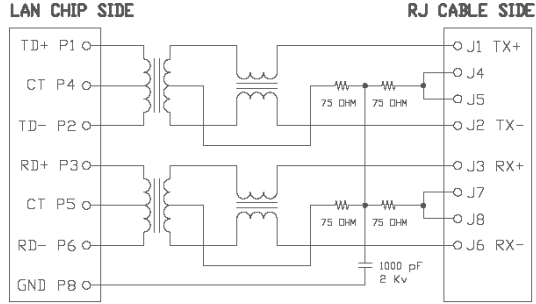
Product Type Features		Housing Related Features	
Tab Type	Tab Down and Tab Up	Material	PBT / Nylon
PCB Mount Angle	Top Entry (Vertical)	Housing Flammability	UL 94V-0
Number of Ports	1, 2, 4, 6 and 8	Color	Black- Others Optional
Number of Positions	8	Contact Features	
Number of Contacts	8	Material	Phos-Bronze
PCB Mount Style	Through Hole & Surface Mount	Contact Area Plating	Hard Gold
LED	With and Without LEDs	Solder Area Plating	Tin / Gold Flash
Transformer	With and Without Magnetics	Magnetic Features	
Shielding Features		Transformer Speed	10 / 100 / 1000 / 10000
Material	Copper Alloy	Dimensions (mm)	
Plating	Nickel	Length	Optional
EMI Fingers	With or Without	Width	Optional
Number of PCB Ground Tabs	Optional	Height	Optional
Ground Pin Position (mm)	Optional		

10/100 Mbps SCHEMATICS

D12 :



D22:

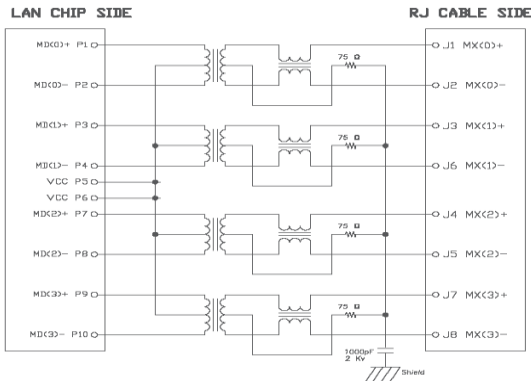


10/100 Mbps MHz Electrical Specification @25degree C

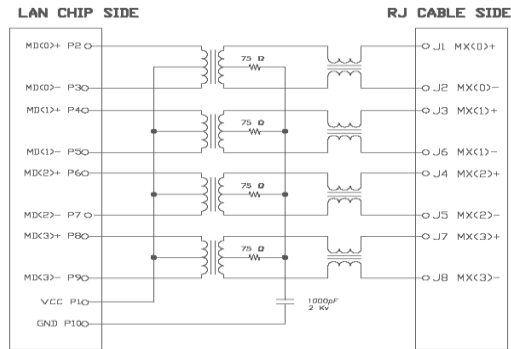
Item	TR	LX 100KHz, 100mV	DCR (Every RJ Pair)	Hi-Pot Input to Output	Ins.Loss 0.3-100 MHz	Return Loss			Cross Talk	Com.Mode Rejection
XMV-01X-1-D12-XXX	1:1+3%	350 uH Min	1,2ohm Max	1500VAC for 60s	-1.0dB Max	1-30 MHz	30-60 MHz	60-80 MHz	1-100MHz	1-100MHz
XMV-02X-1-D22-XXX	1:1+3%	350 uH Min	1,2ohm Max	1500VAC for 60s	-1.0dB Max	-20dB Min	-15dB Min	-10dB Min	-30dB Min	-30dB Min
XMV-04X-1-D22-XXX	1:1+3%	350 uH Min	1,2ohm Max	1500VAC for 60 s	-1.0dB Max	-20dB Min	-15dB Min	-10dB Min	-30dB Min	-30dB Min

10/100/1000 Mbps SCHEMATICS:

H11:



H32:



1000 Mbps MHz Electrical Specification @25degree C

Item	TR	LX 100KHz, 100mV, 8mA, DC Bias	DCR (Every RJ Pair)	Hi-Pot Input to Output	Insertion Loss
Part Number					0.3-100MHz 100-125MHz
XMV-01X-1-H33-XXX	1:1 +3%	350 uH Min	1.2 ohm Max	1500VAC for 60s	-0.8dB Max -1.2dB Max
XMV-02X-1-H33-XXX	1:1 +3%	350 uH Min	1.2 ohm Max	1500VAC for 60s	-0.8dB Max -1.2dB Max
	Common Mode Rejection		Return Loss		Cross Talk
XMV-04X-1-H33-XXX	300-100MHz	1-10 MHz	30-60 MHz 60-100 MHz	1-10 MHz 30-60 MHz 60-100 MHz	
	-30dB Min	-20dB Min	-16dB Min -12dB Min	-40dB Min -35dB Min -30dB Min	
	-30dB Min	-20dB Min	-16dB Min -12dB Min	-40dB Min -35dB Min -30dB Min	

Note: 10GB Datasheet References 10GB Schematics & Electrical Specifications.