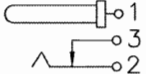
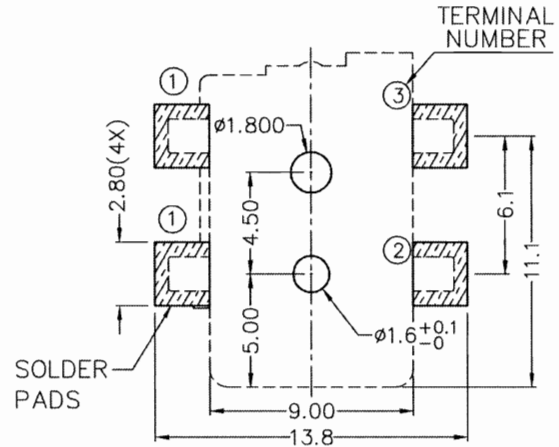
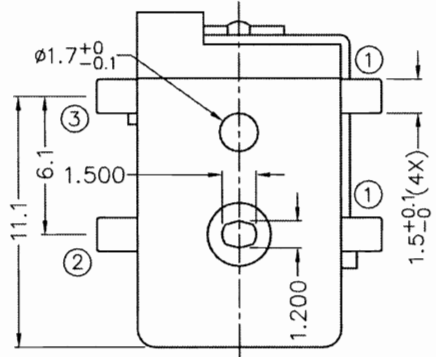


SCHEMATIC	
CENTER PIN	$\phi 2\text{mm}$
	$\phi 2.5\text{mm}$



RECOMMENDED SOLDER PAD LAYOUT