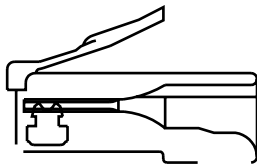




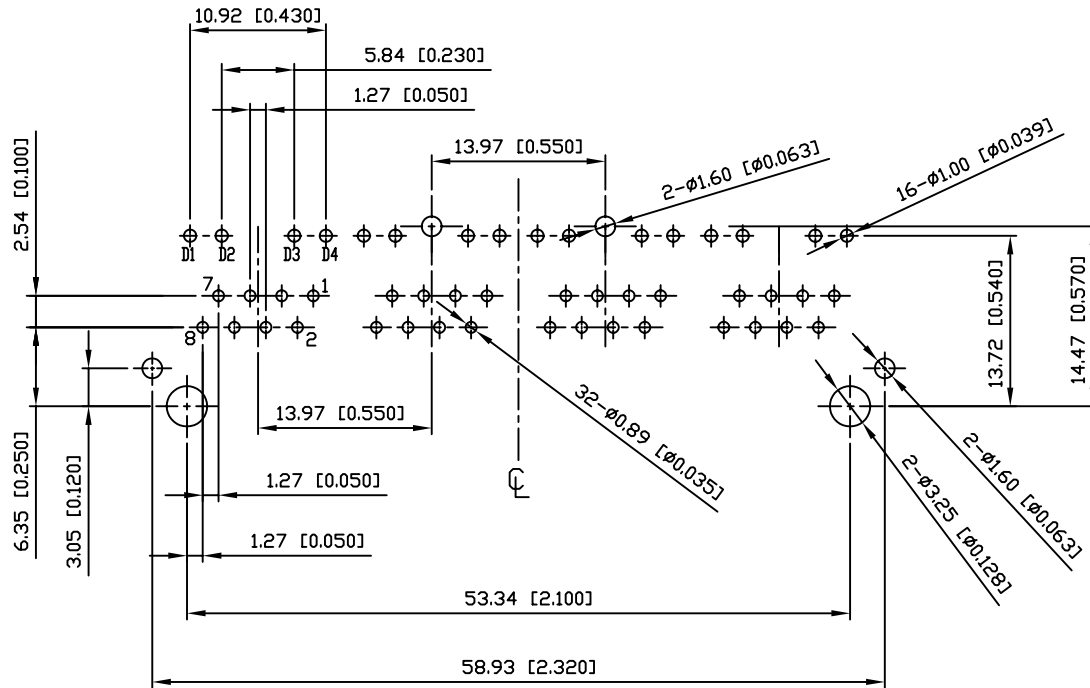
RECOMMENED PLUG DIMENSION:

051

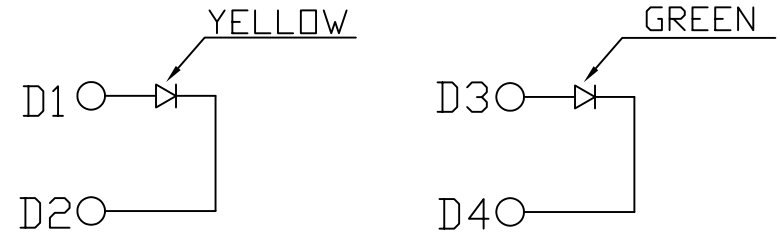


2. PCB LAYOUT :

3. LED CONFIGURTAION :



SUGGESTED PCB LAYOUT
TOP VIEW

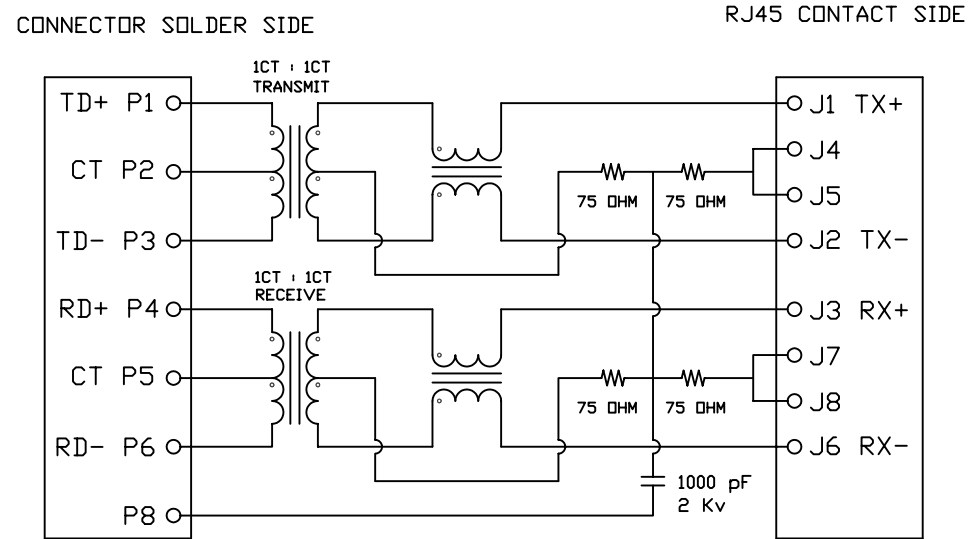


Color	Lens Color	Vf(v) @20mA		Iv(mcd) @10mA		Viewing angle
		Min	Max	Min	Typ	
Green	Green Diffused	1.7	2.8	3.5	6.0	2θ 1/2
Yellow	Yellow Diffused	1.7	2.8	3.0	6.0	116

RoHS Compliant

		THE INFORMATION AGE		
		X MULTIPLE ASIA 4F, No. 347, Yang Guang St., Neihu Chiu, Taipei, Taiwan 11475		X MULTIPLE USA 1420 Los Angeles Ave., Suite G, Simi Valley, CA 93065
THIS DRAWING IS A CONTROLLED DOCUMENT.				
TITLE:		RJ45, W/LED, with 10/100 Mbps Filter 8P,8C, Shielded, Thru Hole.		
PART NO:		XRJH-04D-1-D12-190		
		UNIT	SHEET	REV
mm[inch]		2 of 3	01	DATE:
				Jun.14,06

4. SCHEMATIC :



5. ELECTRICAL CHARACTERISTICS

TEST NOTES:(25±5°C)

1.TR:(100KHz,0.1V);

PINS:(P1-P3):(J1-J2)=1:1±3%

PINS:(P4-P6):(J3-J6)=1:1±3%

2.LX:(100KHz,100mV,8mA, DC Bias)

PINS: (P1,P3),(P4,P6)=350uH MINIMUM

3.DCR:

PINS:(J1-J2),(J3-J6)= 1.2 OHMS MAXIMUM

4.HIPOT:

PINS(P1,P2,P3)TO(J1,J2)=1500VAC FOR 60 SECONDS

PINS(P4,P5,P6)TO(J3,J6)=1500VAC FOR 60 SECONDS

5.INSERTION LOSS:

-1.0dB MAXIMUM AT 0.3MHz TO 100MHz;

6.RETURN LOSS:

-20dB MINIMUM AT 1MHz TO 30MHz;

-15dB MINIMUM AT 30MHz TO 60MHz

-10dB MINIMUM AT 60MHz TO 80MHz

7.CROSS TALK:

-30dB MINIMUM AT 1MHz TO 100MHz

8.COMMON TO COMMON MODE REJECTION:

-30dB MINIMUM AT 1MHz TO 100MHz

XRJH-04D-1-D12-190

PRODUCT SERIES
H : TAB UP AND STACKED

NUMBER OF PORTS
MECHANICAL TYPE
04D : XRJH 4 PORT, LENGTH=25.4mm,
STAGGERED PINS

LED COLOR OPTION

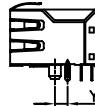
PROTOCOL TYPE
D : 10/100 Mbps, 4 CORE

SPECIAL CODE
0 : STANDARD

SHIELDED TYPE
9 : 4 PORT W/2 TABS, Y=3.05mm,
EMI FINGER ON ALL SIDE

LED POLARITY
0 : W/O LED

CIRCUIT TYPE



RoHS Compliant

		THE INFORMATION AGE	
		X MULTIPLE ASIA 4F, No. 347, Yang Guang St., Neihu Chlu, Taipei, Taiwan 11475	
X MULTIPLE USA 1420 Los Angeles Ave., Suite G, Simi Valley, CA 93065		G/NO:	
THIS DRAWING IS A CONTROLLED DOCUMENT.			
TITLE: RJ45, W/LED, with 10/100 Mbps Filter 8P,8C, Shielded, Thru Hole.		DWG NO: XRJH-04D-1-D12-190	
PART NO: XRJH-04D-1-D12-190		DRAWN: RUNES	
		CHKD: JEFF	
		UNIT mm[inch]	SHEET 3 of 3
		REV 01	DATE: Jun.14,06