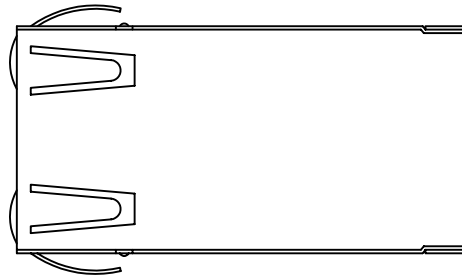


1. MECHANICAL DIMENSIONS :



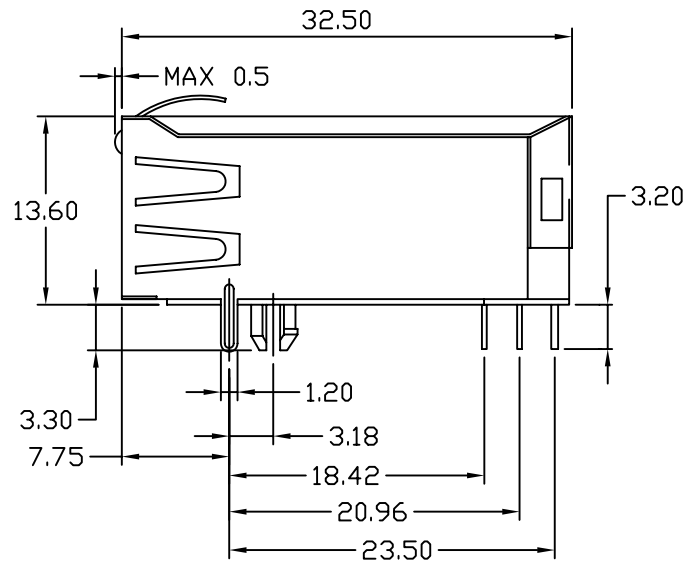
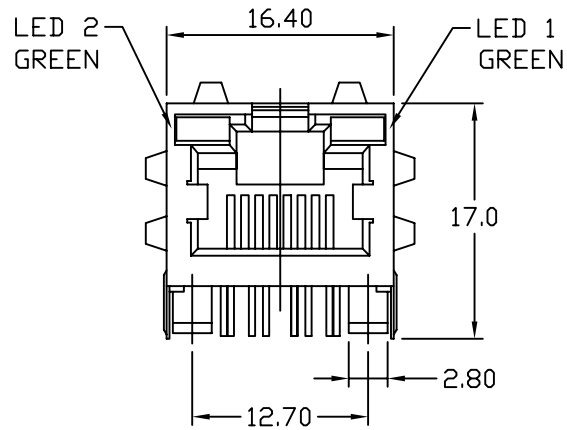
NOTES:

1. MATERIALS:

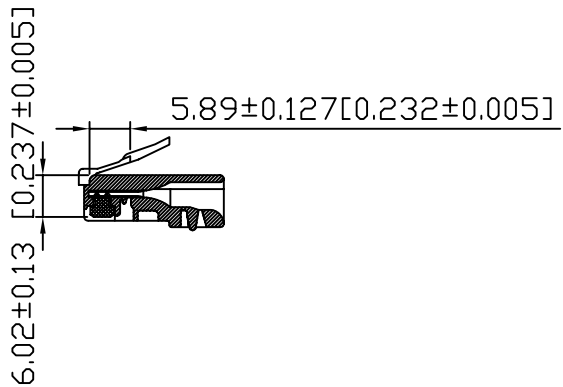
HOUSING: HIGH TEMP. THERMOPLASTIC, PBT
 , UL 94V-0, BLACK
 CONTACTS-0.35mm THICK PHOS-BRONZE PLATED
 WITH 30u" GOLD, TIN IN ALL
 AREA EXCEPT CUT AREA.
 SHIELD-0.25mm THICK COPPER ALLOY,
 PLATED WITH NICKEL.

2. CAVITY CONFIRMS TO FCC RULES AND REGULATIONS
 PART 68,SUBPART F.

3. UNSPECIFIED TOLERANCE: .XX ±0.25 [0.01]
 .X ±0.30 [0.012]



RECOMMENED PLUG DUMENSION:

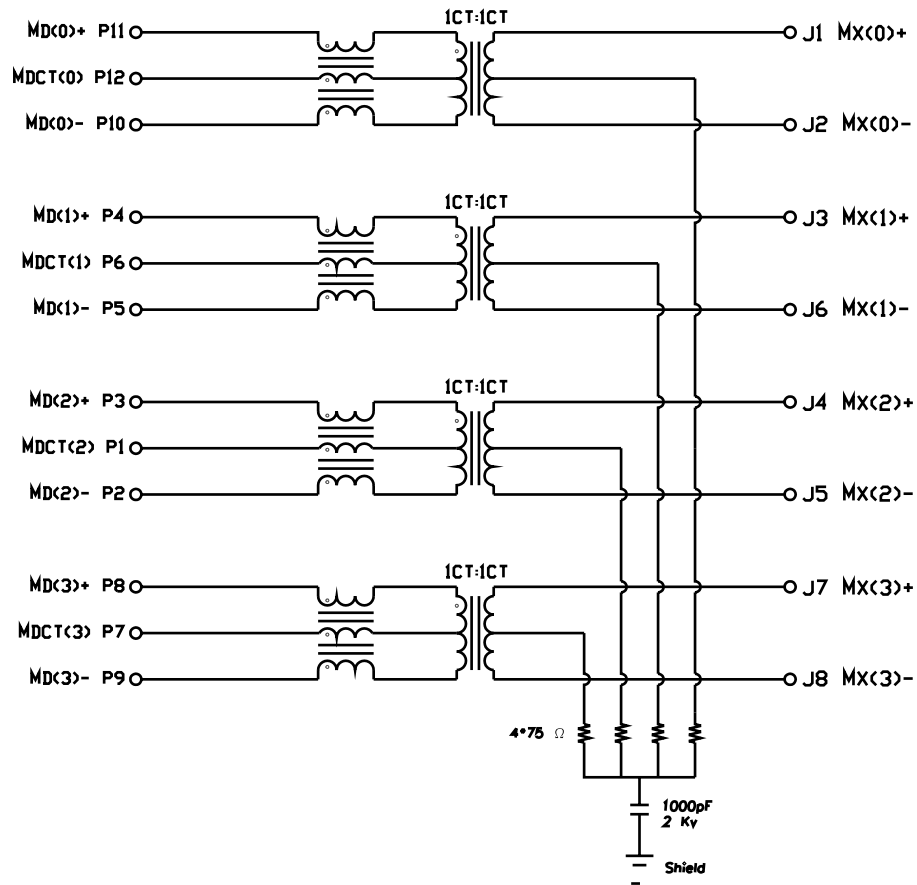


RoHS Compliant

| | | | |
|---|--|---|-----------|
| X MULTIPLE | | CONNECTING THE INFORMATION AGE | |
| XMULTIPLE ASIA 4F, No. 347, Yang Guang St., Neihu Chu, Taipei, Taiwan 11475 | | XMULTIPLE USA 1420 Los Angeles Ave., Suite G, Simi Valley, CA 93065 | |
| THIS DRAWING IS A CONTROLLED DOCUMENT. | | G/NO: | |
| TITLE: RJ45, w/LED, w/Filter 10/100/1000 Mbps 8P,12C, Shielded, Thru-Hole | | DWG NO: XRJH-01R-5-H71-170 | |
| PART NO: XRJH-01R-5-H71-170 | | DRAWN: AUSTIN | |
| | | CHKD: JEFF | |
| | | DATE: Mar.17,06 | |
| UNIT mm[inch] | | SHEET 1 of 3 | REV 01 |

CONNECTOR SOLDER SIDE

RJ45 CONTACT SIDE



TEST NOTES:(25±5°C)

2. LX:(100KHz,100mV,8mA, DC Bias) 100%
 PINS:(P11,P10),(P4,P5),(P3,P2),(P8,P9)=350uH MINIMUM

Ω
 Ω

LOSS:

XRJH-01R-5-H71-170

PRODUCT SERIES
 H : TAB UP AND STACKED

NUMBER OF PORTS
 MECHANICAL TYPE
 01R : XRJH 1 PORT, LENGTH=32.5mm,
 STRAIGHT PINS

LED COLOR OPTION

CIRCUIT TYPE

PROTOCOL TYPE
 H : 10/100/1000 Mbps, 8 CORE

SPECIAL CODE
 0 : STANDARD

SHIELDED TYPE
 7 : EMI FINGER ON ALL SIDE

LED POLARITY
 1 : +-, +-