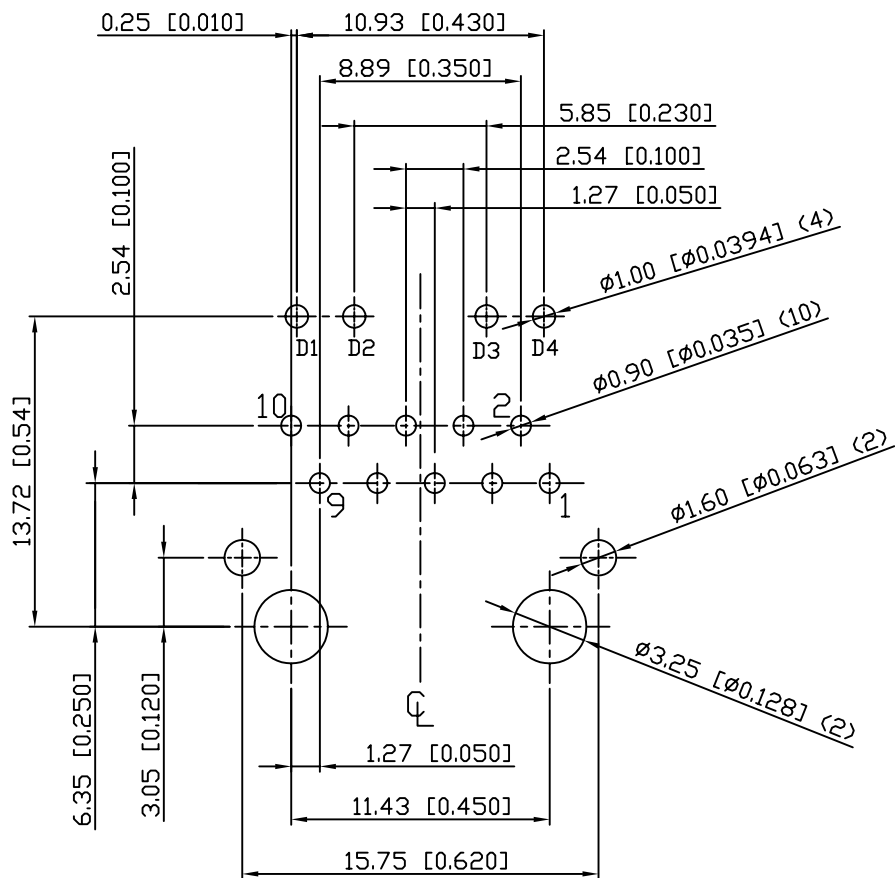
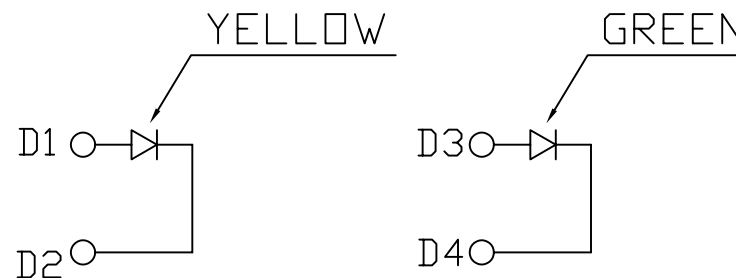


2. PCB LAYOUT :



SUGGESTED PCB LAYOUT
(TOP VIEW)

3. LED CONFIGURATION :



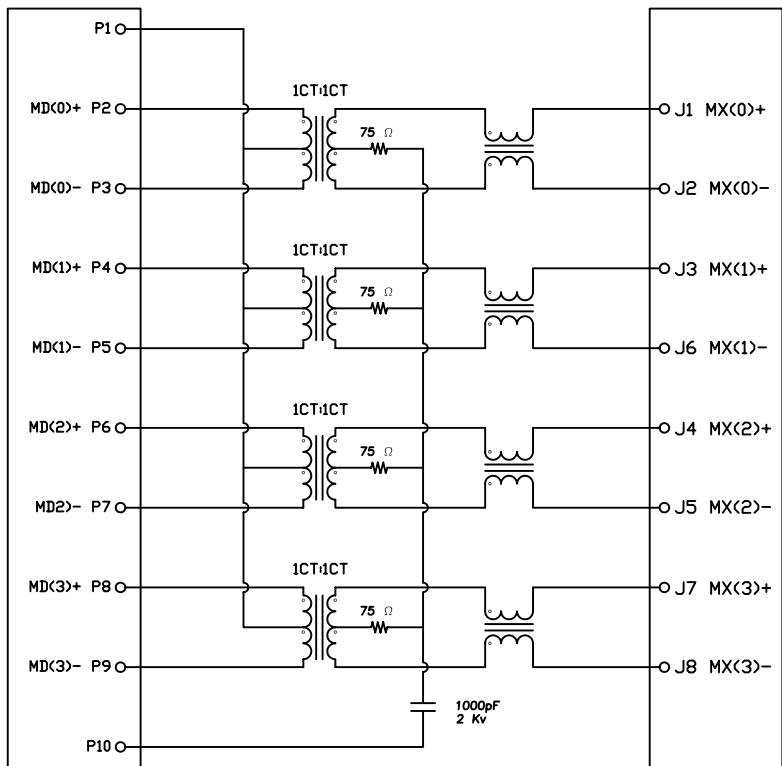
Color	Lens Color	Vf(v) @20mA		Iv(mcd) @10mA		Viewing angle
		Min	Max	Min	Typ	
Yellow	Yellow Diffused	1.7	2.8	3.0	6.0	2θ 1/2
Green	Green Diffused	1.7	2.8	3.5	6.0	116

RoHS Compliant

X MULTIPLE		CONNECTING THE INFORMATION AGE	
MULTIPLE ASIA 4F, No. 347, Yang Guang St., Neihu Chu, Taipei, Taiwan 11475		MULTIPLE USA 1420 Los Angeles Ave., Suite G, Simi Valley, CA 93065	
THIS DRAWING IS A CONTROLLED DOCUMENT.		G/NO:	
TITLE: RJ45, W/LED, with 10/100/1000 Mbps Filter 8P,10C, Shielded, Thru Hole.		DWG NO: XRJH-01D-1-H32-170	
PART NO: XRJH-01D-1-H32-170		DRAWN: RUNES	
		UNIT mm[inch]	SHEET 2 of 3
		REV 01	CHKD: JEFF
			DATE: Jun.16,06

4. SCHEMATIC :

CONNECTOR SOLDER SIDE RJ45 CONTACT SIDE



5. ELECTRICAL CHARACTERISTICS :

TEST NOTES:(25°±5°C)

- TR:(100KHz,0.1V); 100%
PINS:(P2,P3):(J1,J2)=1:1±3%;(P4,P5):(J3,J6)=1:1±3%
PINS:(P6,P7):(J4,J5)=1:1±3%;(P8,P9):(J7,J8)=1:1±3%
- LX:(100KHz,100mV,8mA, DC Bias) 100%
PINS:(P2,P3),(P4,P5),(P6,P7),(P8,P9)=350uH MINIMUM
- DCR: 100%
PINS:(P2,P3),(P4,P5),(P6,P7),(P8,P9)= 1.0Ω MAXIMUM
PINS:(J1,J2),(J3,J6),(J4,J5),(J7,J8)=1.0 Ω MAXIMUM
- HIPOT: 100%
PINS(P2,P3)TO(J1,J2),(P4,P5)TO(J3,J6)=1650VAC FOR 2 SECONDS
PINS(P6,P7)TO(J4,J5),(P8,P9)TO(J7,J8)=1650VAC FOR 2 SECONDS
- INSERTION LOSS:
-0.8dB MAXIMUM AT 0.3MHz TO 100MHz;
-1.2dB MAXIMUM AT 100MHz TO 120MHz
- RETURN LOSS:
-18dB MINIMUM AT 0.5MHz TO 40MHz;
-12+20Log(f/80MHz)dB MINIMUM AT 40MHz TO 100MHz
- CROSS TALK:
-33+20Log(f/100MHz)dB MINIMUM AT 0.1MHz TO 100MHz
- COMMON TO DIFFERENTIAL MODE REJECTION:
-35dB MINIMUM AT 300KHz TO 100MHz
- COMMON TO COMMON MODE REJECTION:
-30dB MINIMUM AT 300KHz TO 100MHz

XRJH-01D-1-H32-170

PRODUCT SERIES
XRJH : TAB UP AND STACKED

NUMBER OF PORTS
MECHANICAL TYPE
01D : XRJH 1 PORT, LENGTH=25.4mm,
STAGGERED PINS

LED COLOR OPTION

PROTOCOL TYPE
H : 10/100/1000 Mbps, 8 CORE

SPECIAL CODE
0 : STANDARD

SHIELDED TYPE
7 : EMI FINGER ON ALL SIDE

LED POLARITY
1 : +-, +-

CIRCUIT TYPE

RoHS Compliant

X MULTIPLE		CONNECTING THE INFORMATION AGE	
MULTIPLE ASIA 4F, No. 347, Yang Guang St., Neihu Chu, Taipei, Taiwan 11475		MULTIPLE USA 1420 Los Angeles Ave., Suite G, Simi Valley, CA 93065	
THIS DRAWING IS A CONTROLLED DOCUMENT.		DWG NO: XRJH-01D-1-H32-170	
TITLE: RJ45, W/LED, with 10/100/1000 Mbps Filter 8P,10C, Shielded, Thru Hole.		DRAWN: RUNES	
PART NO: XRJH-01D-1-H32-170		CHKD: JEFF	
		UNIT mm[inch]	SHEET 3 of 3
		REV 01	DATE: Jun.16,06