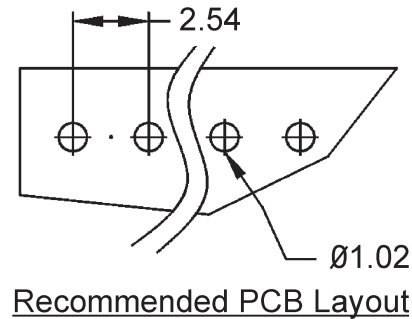
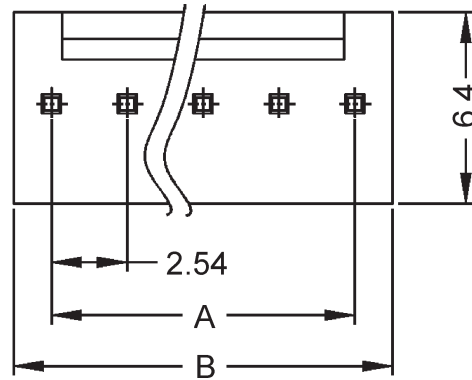


REV.	ECN NO.	DATE
A	Released	08/25/2011



**Specifications:**

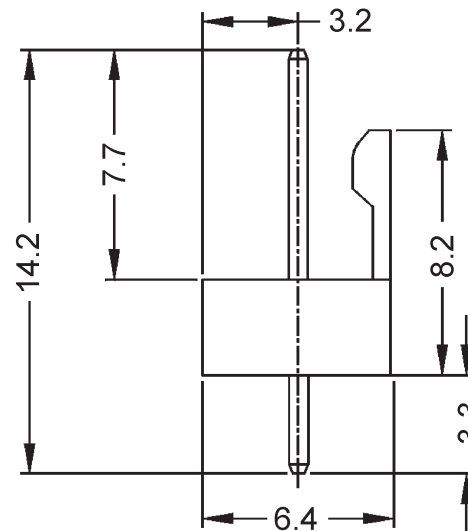
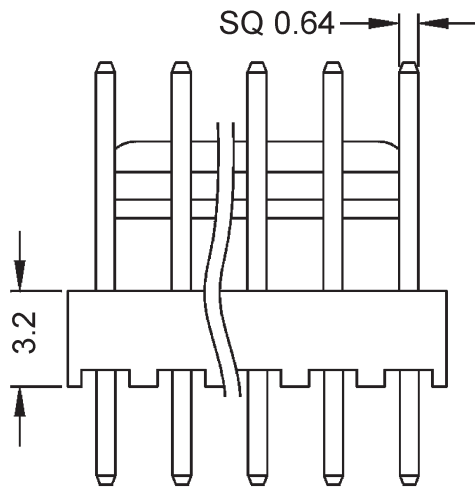
**Materials:**

- \* Contact: Brass
- \* Housing: Nylon 66 (UL94V-2 or V-0)
- \* Plating: Tin plating

**Electrical:**

- \* Contact Resistance: 20mΩ Max
- \* Current Rating: 2.5A max. AC/DC
- \* Withstanding Voltage: 1500 VAC for 1 minute
- \* Operating Temperature: -25°C ~ + 85°C

Pin No.	Dim A	Dim B
02	5.08	2.54
03	7.62	5.08
04	10.16	7.62
05	12.70	10.16
06	15.24	12.70
07	17.78	15.24
08	20.32	17.78
09	22.86	20.32
10	25.40	22.86
11	27.94	25.40
12	30.48	27.94
13	33.02	30.48
14	35.56	33.02
15	38.10	35.56
16	40.64	38.10



How to Order:

WH2019 - WS1 - x - B - xx

Pin No#  
2~16

Color  
blank: brown  
W: White

Housing  
blank: 94V-2  
V0: 94V-0

***RoHS Compliant***

Scale		Drawn by	ANGLIA
Unit	mm	Checked by	Kevin
Tolerance		Sheet	1 of 1
.X	± 0.30	Projection	
.XX	± 0.20		
.XXX	± 0.10		
ANG.	= 2°		

**XMULTIPLE**

Name: Crimp Style Connector  
2.54mm, Wafer, Straight

Part number WH2019-WS1-x-B-xx

Drawing no. WH2019-WS1-x-B-xx