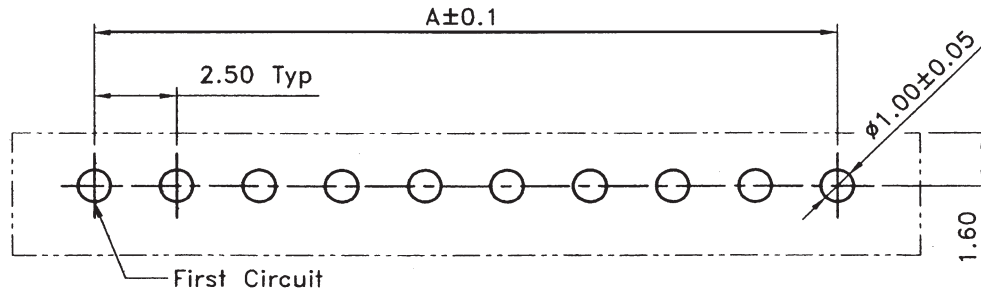
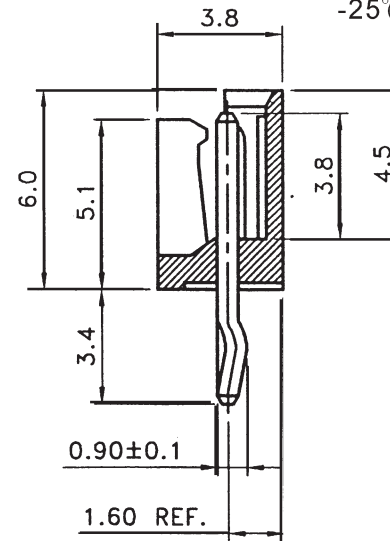
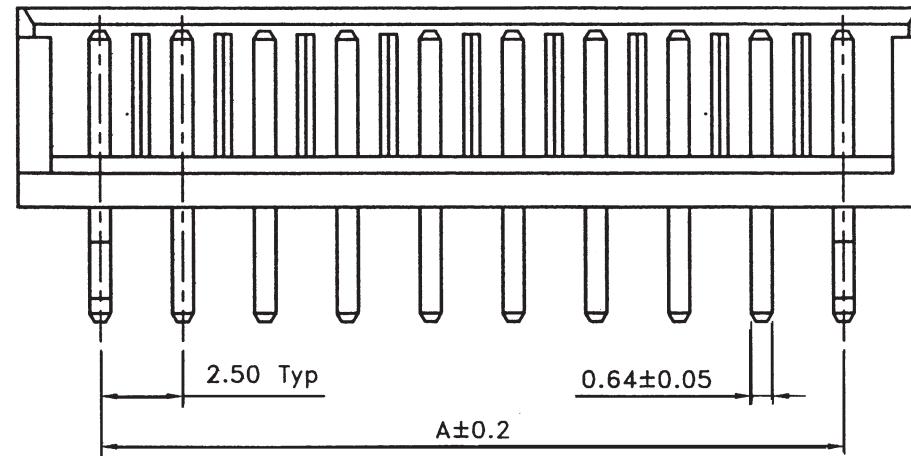
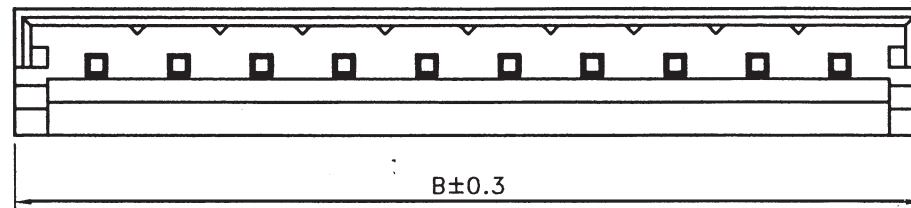


REV.	ECN NO.	DATE
A	Released	08/26/2011



Recommended PCB Layout (Top View)



Specifications:

Materials:

- * Contact: Brass
- * Housing: Nylon 66 (UL94V-0)
- * Plating: Tin plating

Electrical:

- * Contact Resistance: 20mΩ Max
- * Insulator Resistance: 1000MΩ Min.
- * Current Rating: 3A max. AC/DC
- * Voltage rating: 250V DC/AC
- * Withstanding Voltage: 1000V AC for 1 minute
- * Operating Temperature: -25°C ~ + 85°C

Poles	Dimensions(mm)	
	A	B
2	2.50	7.50
3	5.00	10.00
4	7.50	12.50
5	10.00	15.00
6	12.50	17.50
7	15.00	20.00
8	17.50	22.50
9	20.00	25.00
10	22.50	27.50
11	25.00	30.00
12	27.50	32.50
13	30.00	35.00
14	32.50	37.50
15	35.00	40.00

How to Order:

WH2010 - WS - x - B

Pin No.
2~15

RoHS Compliant

Scale	4:1	Drawn by	ANGLIA	XMULTIPLE	
Unit	mm	Checked by	Kevin		
Tolerance		Sheet	1/1		
.X ± 0.30		Projection		Name: Crimp Style Connector	
.XX ± 0.20				2.5mm pitch, Wafer, Straight	
.XXX ± 0.10				Part number	WH2010-WS-x-B
ANG = ±				Drawing no.	WH2010-WS-x-B