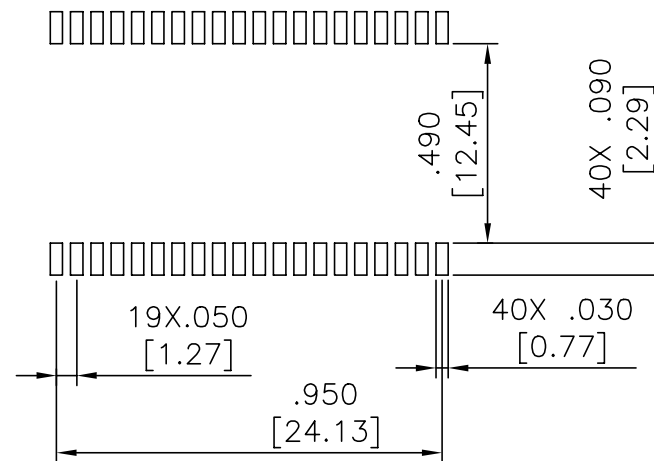
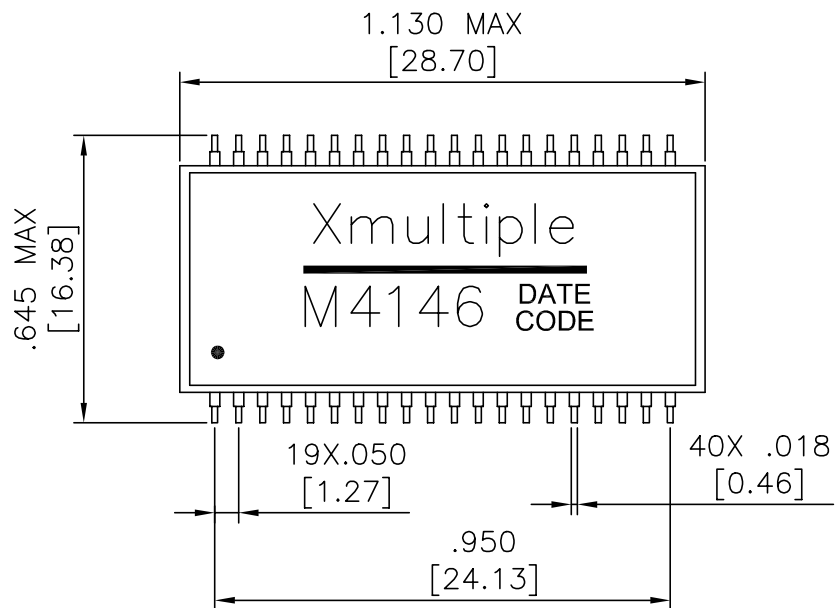
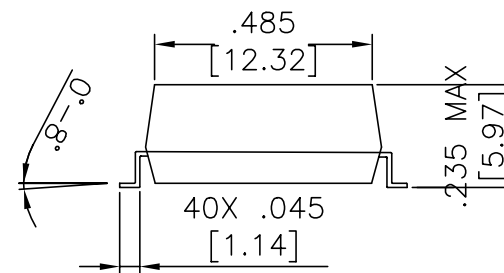
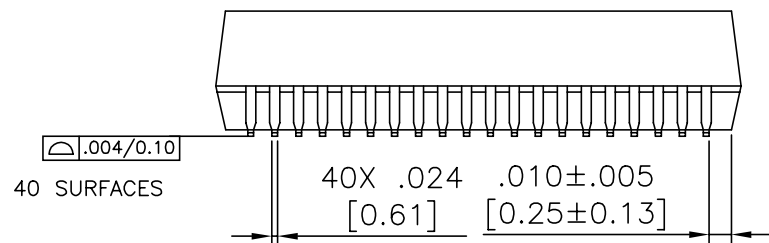


MECHANICALS



SUGGESTED PAD LAYOUT



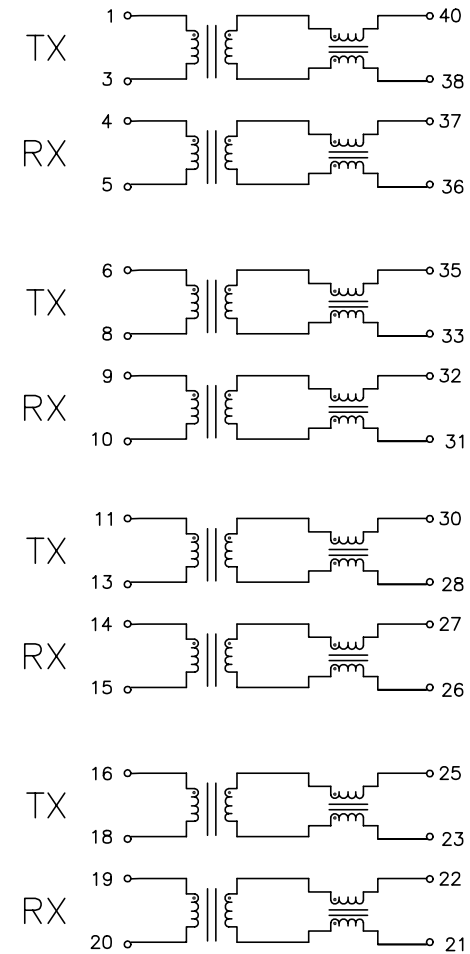
Dimensions:Inch[mm] all tolerances:0.01[0.25]

<h1>XMULTIPLE</h1>		CONNECTING THE INFORMATION AGE
XMULTIPLE ASIA 4F, No. 347, Yang Guang St., Neihu Chiu, Taipei, Taiwan 11475		XMULTIPLE USA 543 Country Club Drive #B 128 Simi Valley, CA 93065
THIS DRAWING IS A CONTROLLED DOCUMENT.		CUSTOMER/NO:
TITLE: QUAD PORT SMT TRANSFORMER/CHOKE MODULES, 1500Vrms, EXTENDED TEMPERATURE RANGE.		DWG NO: XTFZ-M4146
PART NO: XTFZ-M4146		DRAWN: TARA
		CHKD: C. TSAI
DIMENSIONS inch [mm]		DATE: 11/03/04
SHEET 1 of 2		REV 01

TEST NOTES: (25±5°C)

1. TR: (100KHz, 0.1V):
 PINS: (1,3): (40,38)=1: 2±2%; (4,5): (37,36)=1: 1±2%
 PINS: (6,8): (35,33)=1: 2±2%; (9,10): (32,31)=1: 1±2%
 PINS: (11,13): (30,28)=1: 2±2%; (14,15): (27,26)=1: 1±2%
 PINS: (16,18): (25,23)=1: 2±2%; (19,20): (22,21)=1: 1±2%
2. LX: (100K Hz, 100mV, 8mA, DC Bias)
 PINS: (1,3), (4,5), (6,8), (9,10)=1200uH MIN
 PINS: (11,13), (14,15), (16,18), (19,20)=1200uH MIN
3. DCR:
 PINS: (40,38), (35,33), (30,28), (25,23)=1.8 OHMS MAX
 PINS: (37,36), (32,31), (27,26), (22,21)=1.5 OHMS MAX
 PINS: (1,3), (4,5), (6,8), (9,10)=1.0 OHMS MAX
 PINS: (11,13), (14,15), (16,18), (19,20)=1.0 OHMS MAX
4. HIPOT:
 PINS: (1,2..,20) TO (40,39..,21)=1500VAC FOR 60 SECONDS
5. Cw/w:
 PINS: (1,2..,20) TO (40,39..,21)=35pF MAX

SCHEMATIC



XMULTIPLE		CONNECTING THE INFORMATION AGE	
XMULTIPLE ASIA 4F, No. 347, Yang Guang St., Neihu Chiu, Taipei, Taiwan 11475		XMULTIPLE USA 543 Country Club Drive #B 128 Simi Valley, CA 93085	
THIS DRAWING IS A CONTROLLED DOCUMENT.		CUSTOMER/NO:	
TITLE: QUAD PORT SMT TRANSFORMER/CHOKE MODULES, 1500Vrms, EXTENDED TEMPERATURE RANGE.		DWG NO: XTFZ-M4146	
PART NO: XTFZ-M4146		DRAWN: TARA	
		CHKD: C. TSAI	
		DATE: 11/03/04	
DIMENSIONS	SHEET	REV	
inch [mm]	2 of 2	01	