

TEST NOTES:( $25 \pm 5^\circ\text{C}$ )

1.TR:(100KHz,0.1V);

PINS:(1,2):(48,47)= $1:1 \pm 3\%$ :(13,14):(36,35)= $1:1 \pm 3\%$

PINS:(5,6):(44,43)= $1:1 \pm 3\%$ :(17,18):(32,31)= $1:1 \pm 3\%$

PINS:(7,8):(42,41)= $1:1 \pm 3\%$ :(19,20):(30,29)= $1:1 \pm 3\%$

PINS:(11,12):(38,37)= $1:1 \pm 3\%$ :(23,24):(26,25)= $1:1 \pm 3\%$

2.LX:(100KHz,100mV,8mA, DC Bias)

PINS:(48,47),(44,43),(42,41),(38,37)=350uH MIN

PINS:(36,35),(32,31),(30,29),(26,25)=350uH MIN

3.DCR:

PINS:(48,47),(44,43),(42,41),(38,37)=1.5 OHMS MAX

PINS:(36,35),(32,31),(30,29),(26,25)=1.5 OHMS MAX

PINS:(1,2),(5,6),(7,8),(11,12)=1.2 OHMS MAX

PINS:(13,14),(17,18),(19,20),(23,24)=1.2 OHMS MAX

4.HIPOT:

PINS:(1,...12)TO(48,...37)=1500VAC FOR 60 SECONDS

PINS:(13,...24)TO(36,...25)=1500VAC FOR 60 SECONDS

5.INSERTION LOSS:

-1.2dB MAXIMUM AT 0.1MHz TO 100MHz;

6.RETURN LOSS:

-16dB MINIMUM AT 1MHz TO 40MHz;

-14dB MINIMUM AT 40MHz TO 50MHz;

-13dB MINIMUM AT 50MHz TO 60MHz;

-12dB MINIMUM AT 60MHz TO 80MHz

7.CROSS TALK:

-40dB MINIMUM AT 1MHz TO 60MHz;

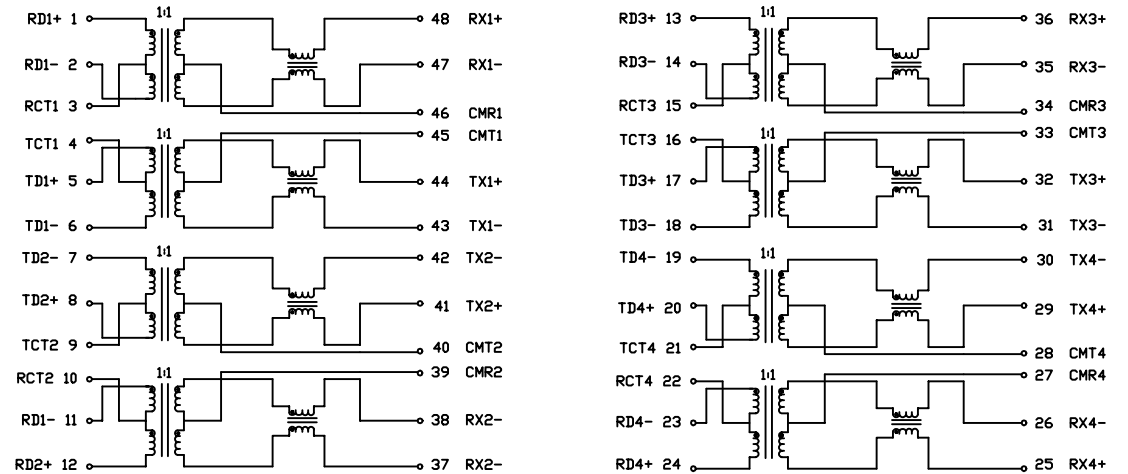
-35dB MINIMUM AT 60MHz TO 100MHz;

8.DIFFERENTIAL TO COMMON MODE REJECTION:

-43dB MINIMUM AT 1MHz TO 30MHz;

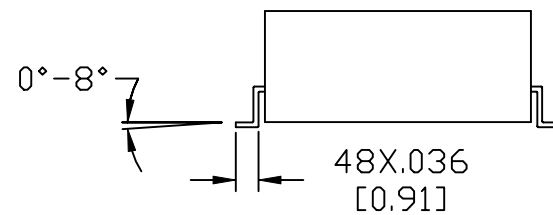
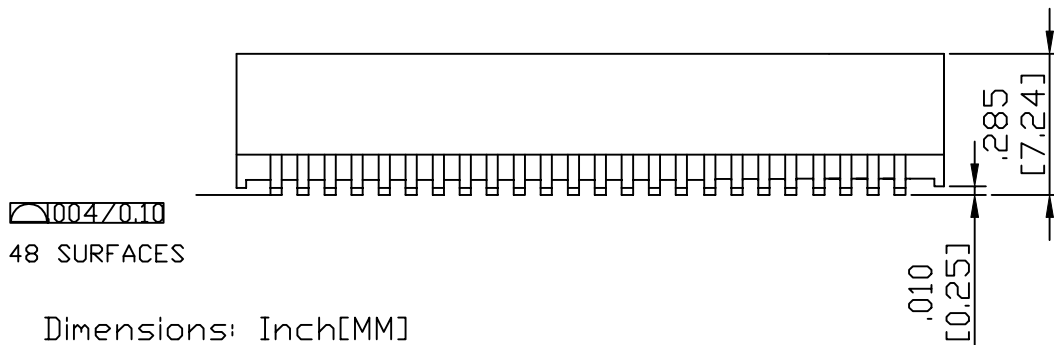
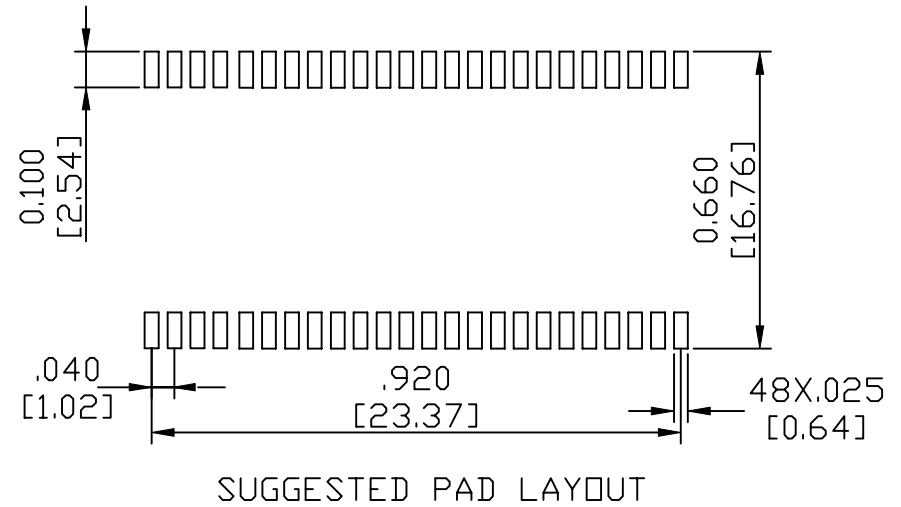
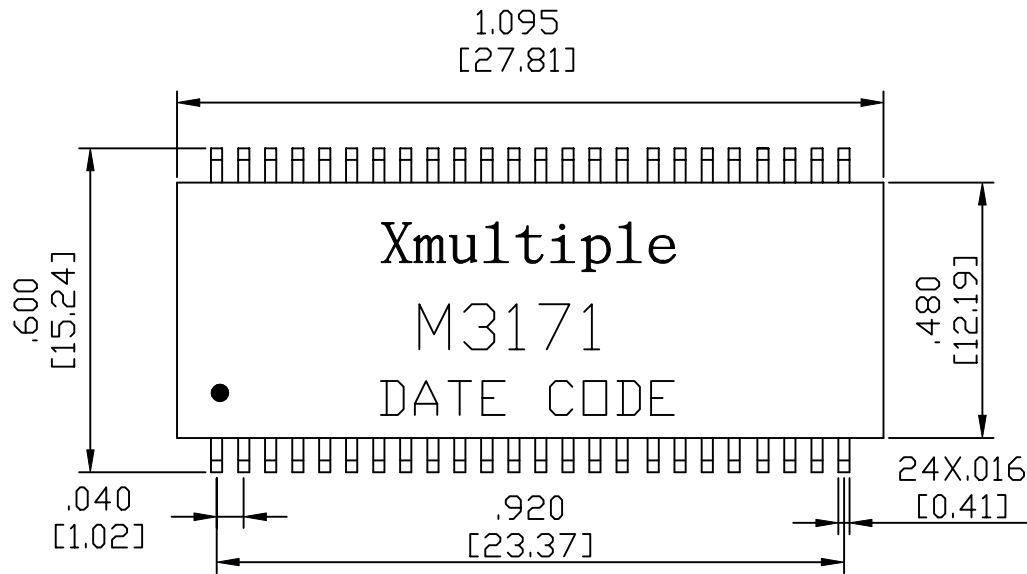
-37dB MINIMUM AT 30MHz TO 60MHz;

-33dB MINIMUM AT 60MHz TO 100MHz



SCHEMATIC

<h1>X MULTIPLE</h1>		CONNECTING THE INFORMATION AGE	
XMULTIPLE ASIA 4F, No. 347, Yang Guang St., Neihu Chiu, Taipei, Taiwan 11475		XMULTIPLE USA 543 Country Club Drive #B 128 Simi Valley, CA 93065	
THIS DRAWING IS A CONTROLLED DOCUMENT.		CUSTOMER/NO:	
TITLE: 10/100 Base-T Quad Magnetics for VOIP		DWG NO: XTFZ-M3171	
PART NO: XTFZ-M3171		DRAWN: JEFF	
		CHKD: FUTIEN	
		DATE: 10/02/04	
DIMENSIONS mm[inch J]	SHEET 1 of 2	REV 01	



Dimensions: Inch[MM]

UNLESS OTHERWISE SPECIFIED DIM.  
TOLERANCES ARE: 0.1

<h1>X MULTIPLE</h1>		CONNECTING THE INFORMATION AGE
XMULTIPLE ASIA 4F, No. 347, Yang Guang St., Neihu Chiu, Taipei, Taiwan 11475	XMULTIPLE USA 543 Country Club Drive #B 128 Simi Valley, CA 93065	CUSTOMER/NO:
THIS DRAWING IS A CONTROLLED DOCUMENT.		DWG NO: XTFZ-M3171
TITLE: 10/100 Base-T Quad Magnetics for VOIP		DRAWN: JEFF
PART NO: XTFZ-M3171		CHKD: FUTIEN
	DIMENSIONS mm[inch]	SHEET 2 of 2
	REV 01	DATE: 10/02/04