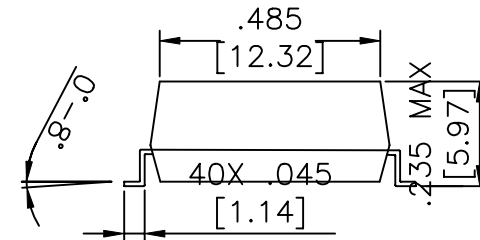
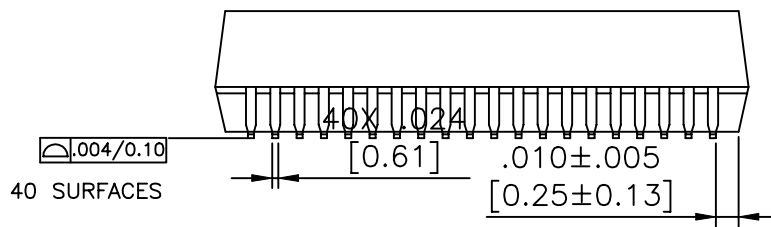
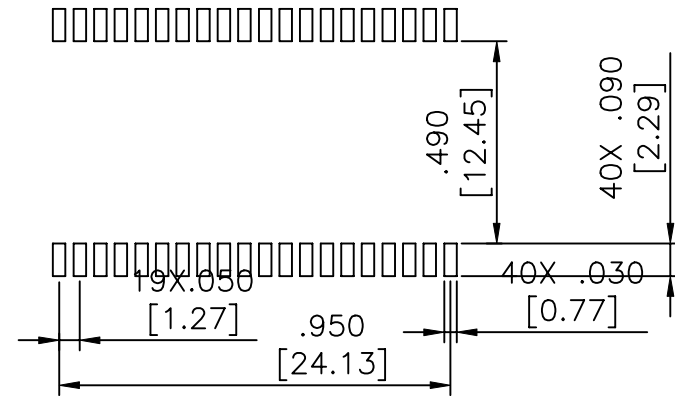
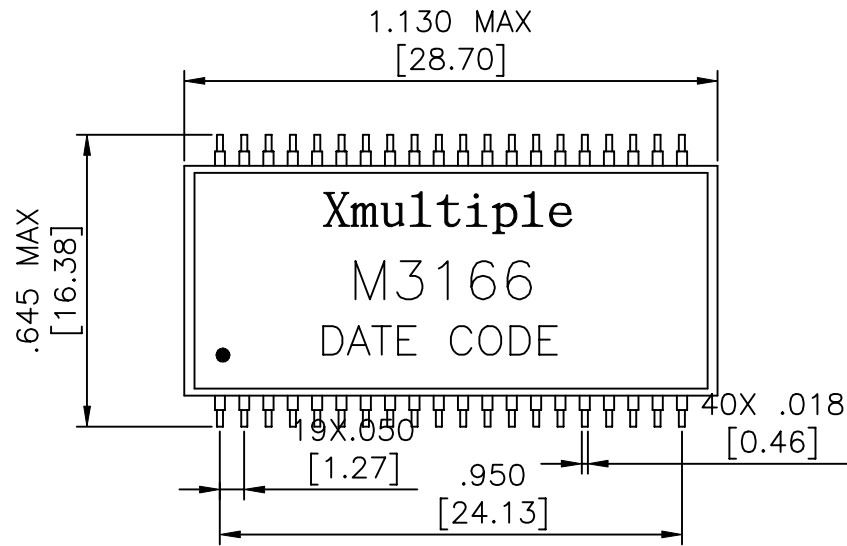


# MECHANICALS



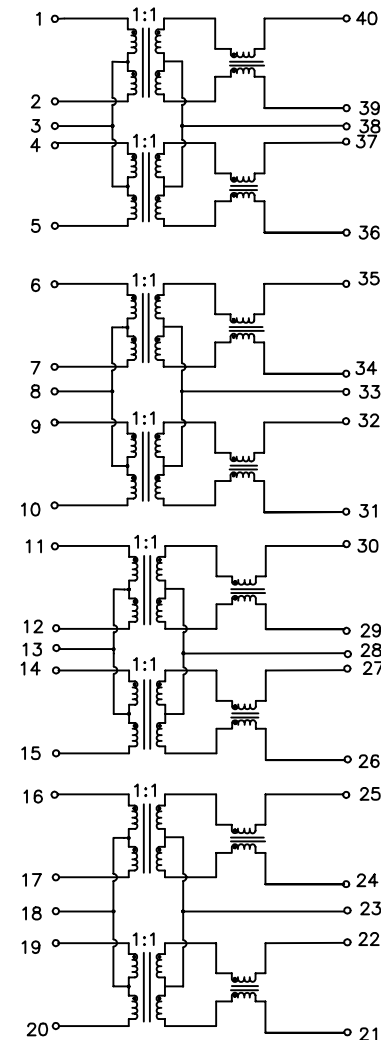
Dimensions: Inch/mm

<h1>X MULTIPLE</h1>		CONNECTING THE INFORMATION AGE	
XMULTIPLE ASIA 4F, No. 347, Yang Guang St., Neihu Chiu, Taipei, Taiwan 11475		XMULTIPLE USA 543 Country Club Drive #B 128 Simi Valley, CA 93065	
TITLE:		CUSTOMER/NO:	
THIS DRAWING IS A CONTROLLED DOCUMENT.		DWG NO: XTFZ-M3166	
SMD Quad Port Auto MDIX 10/100 MODULES.		DRAWN: JEFF	
PART NO:		CHKD: FUTIEN	
XTFZ-M3166		DATE: 26/02/04	
	DIMENSIONS inch [mm]	SHEET 1 of 2	REV 01

# TEST NOTES : (25°±5°C)

- 1.TR:(100KHz,0.1V):  
 PINS:(1,2):(40,39)=1:1±3%;(4,5):(37,36)=1:1±3%  
 PINS:(6,7):(35,34)=1:1±3%;(9,10):(32,31)=1:1±3%  
 PINS:(11,12):(30,29)=1:1±3%;(14,15):(27,26)=1:1±3%  
 PINS:(16,17):(25,24)=1:1±3%;(19,20):(22,21)=1:1±3%
- 2.LX:(100KHz,100mV,8mA, DC Bias)  
 PINS:(1,2),(4,5),(6,7),(9,10)=350uH MIN  
 PINS:(11,12),(14,15),(16,17),(19,20)=350uH MIN
- 3.DCR:  
 PINS:(40,39),(37,36),(35,34),(32,31)=1.2 OHMS MAX  
 PINS:(30,29),(27,26),(25,24),(22,21)=1.2 OHMS MAX  
 PINS:(1,2),(4,5),(6,7),(9,10)=1.0 OHMS MAX  
 PINS:(11,12),(14,15),(16,17),(19,20)=1.0 OHMS MAX
- 4.HIPOT:  
 PINS:(1,2)TO(40,39),(4,5)TO(37,36)=1500VAC FOR 60 SECONDS  
 PINS:(6,7)TO(35,34),(9,10)TO(32,31)=1500VAC FOR 60 SECONDS  
 PINS:(11,12)TO(30,29),(14,15)TO(27,26)=1500VAC FOR 60 SECONDS  
 PINS:(16,17)TO(25,24),(19,20)TO(22,21)=1500VAC FOR 60 SECONDS
- 5.INSERTION LOSS:  
 -1.1dB MAXIMUM AT 0.1MHz TO 100MHz;
- 6.RETURN LOSS:  
 -18dB MINIMUM AT 0.5MHz TO 30MHz;  
 -15.5dB MINIMUM AT 40MHz;  
 -13.6dB MINIMUM AT 50MHz;  
 -10dB MINIMUM AT 60MHz TO 80MHz
- 7.COMMON MODE REJECTION:  
 -40dB TYP AT 0.1MHz TO 100MHz;

# SCHEMATIC



<b>XMULTIPLE</b>		CONNECTING THE INFORMATION AGE	
XMULTIPLE ASIA 4F, No. 347, Yang Guang St., Neihu Chiu, Taipei, Taiwan 11475		XMULTIPLE USA 543 Country Club Drive #B 128 Simi Valley, CA 93065	
TITLE: SMD Quad Port Auto MDIX 10/100 MODULES.		CUSTOMER/NO:	
PART NO: XTFZ-M3166		DWG NO: XTFZ-M3166	
		DRAWN: JEFF	
		CHKD: FUTIEN	
DIMENSIONS inch [mm]		SHEET 2 of 2	
REV 01		DATE: 26/02/04	