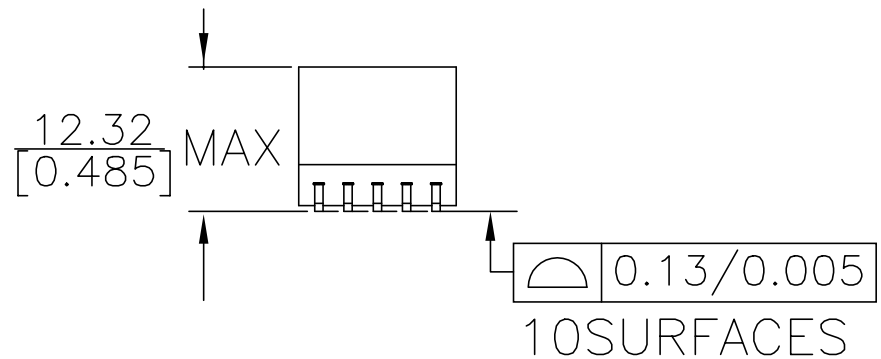
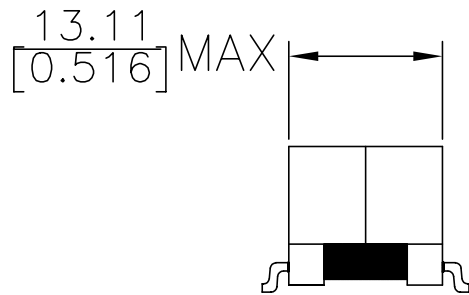
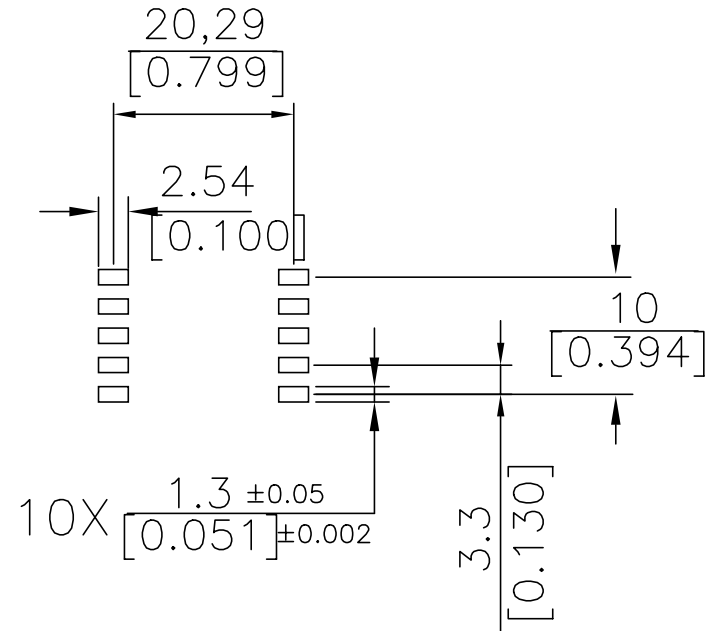
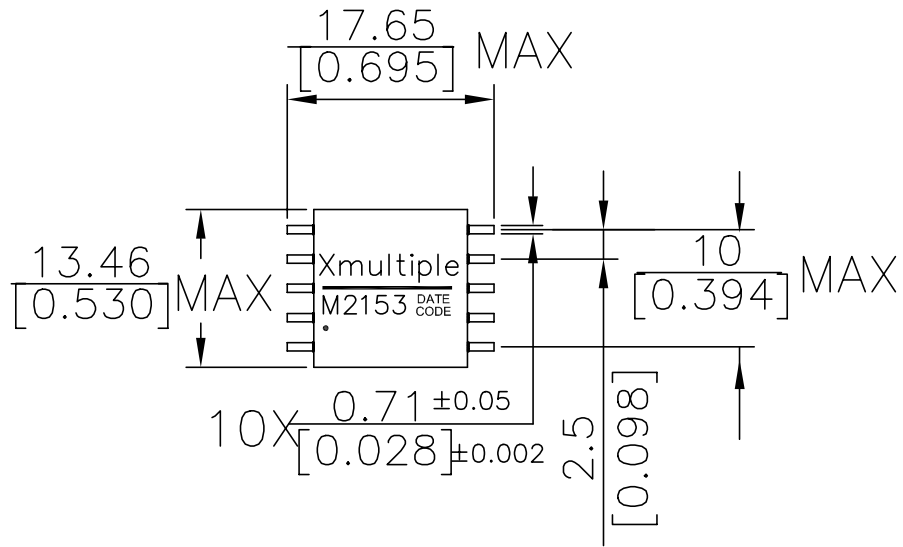


MECHANICALS



Dimensions: Inches/mm

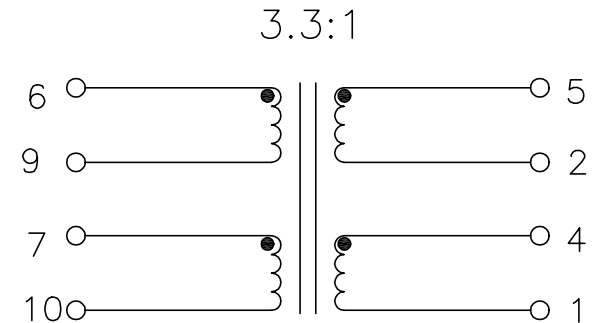
Unless otherwise specified, all tolerances are ±0.01/0.25

<h1>XMULTIPLE</h1>			CONNECTING THE INFORMATION AGE
XMULTIPLE ASIA 4F, No. 347, Yang Guang St., Neihu Chiu, Taipei, Taiwan 11475	XMULTIPLE USA 543 Country Club Drive #B 128 Simi Valley, CA 93065	CUSTOMER/NO:	
THIS DRAWING IS A CONTROLLED DOCUMENT.			DWG NO: XTFZ-M2153
TITLE: ADSL TRANSFORMER, 3.3:1			DRAWN: TARA
PART NO: XTFZ-M2153			CHKD: C. TSAI
	DIMENSIONS inch [mm]	SHEET 1 of 2	REV 01
			DATE: 30/01/04

TEST NOTES: (25±5°C)

SCHEMATIC

- 1. TR: (100KHz, 0.1V)
PINS: (6-10): (5-1) = 3.3:1 ± 2%
- 2. LX: (100KHz, 10mV), (10-6) with (7-9) SHORT
PINS: (10-6) = 800uH ± 5%
- 3. DCR:
PINS: (1,4), (2,5) = 0.2HMS MAX
PINS: (6,9), (7,10) = 0.5 OHMS MAX
- 4. HIPOT:
PINS: (5,2,4,1) TO (6,9,7,10) = 1500VAC FOR 60 SECONDS
- 5. LEAKAGE
INDUCTANCE: (10mv/100KMHZ), (10-6) with (5,2,4,1,7,9) SHORT
PINS: (6,10) = 10uH MAX
- 6. THD: (30KHz, 2.5V)
-87dB MINIMUM
- 7. LONGITUDINAL BALANCE:
-50dB MINIMUM AT 30KHz TO 1.1MHz



XMULTIPLE		CONNECTING THE INFORMATION AGE	
XMULTIPLE ASIA 4F, No. 347, Yang Guang St., Neihu Chiu, Taipei, Taiwan 11475		XMULTIPLE USA 543 Country Club Drive #B 128 Simi Valley, CA 93065	
THIS DRAWING IS A CONTROLLED DOCUMENT.		CUSTOMER/NO: XTFZ-M2153	
TITLE: ADSL TRANSFORMER, 3.3:1		DRAWN: TARA	
PART NO: XTFZ-M2153		CHKD: C. TSAI	
	DIMENSIONS inch [mm]	SHEET 2 of 2	REV 01
		DATE: 30/01/04	