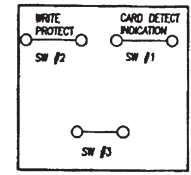
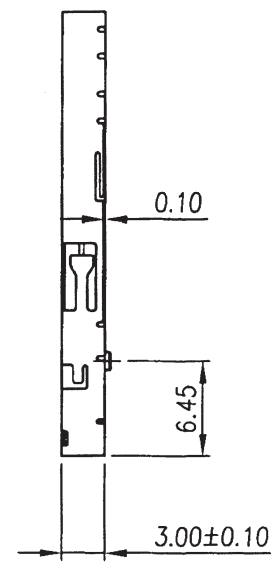
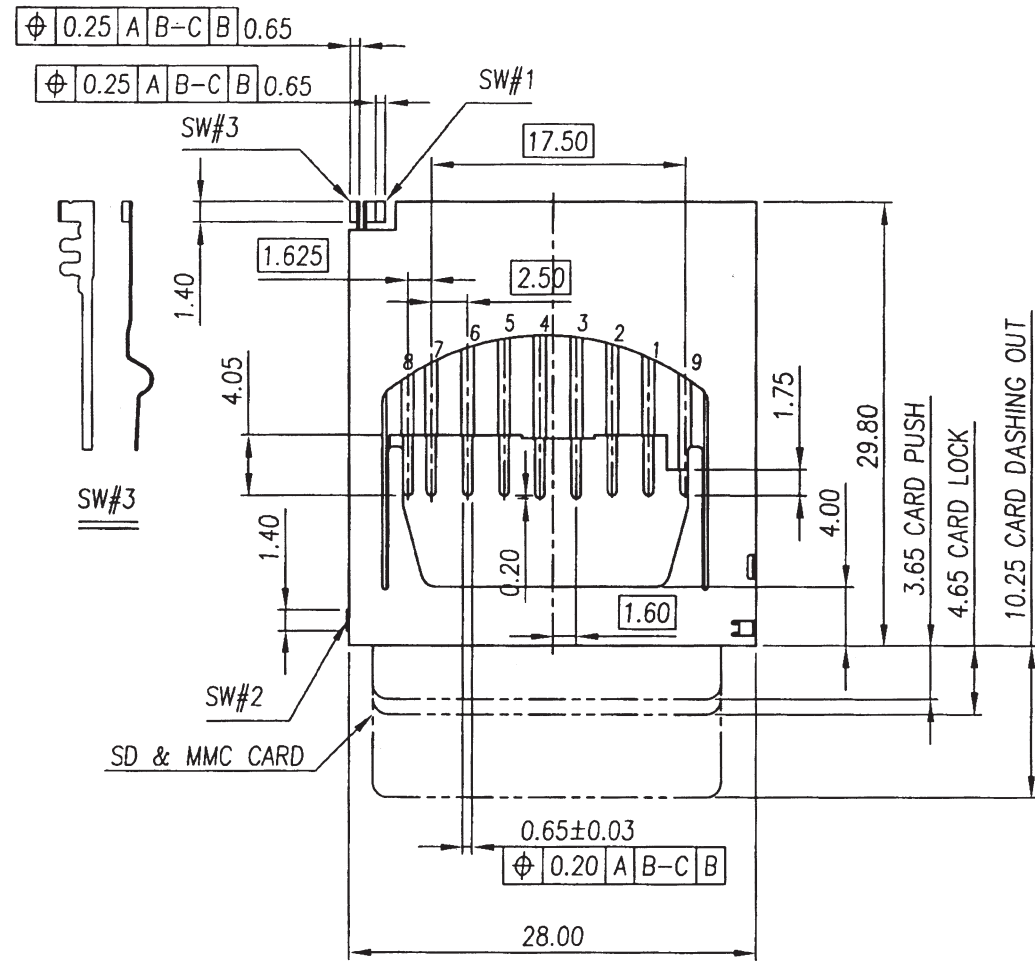
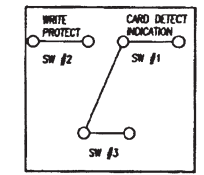


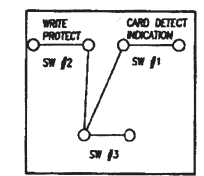
REV.	ECN NO.	DATE
A	Released	09/22/2011



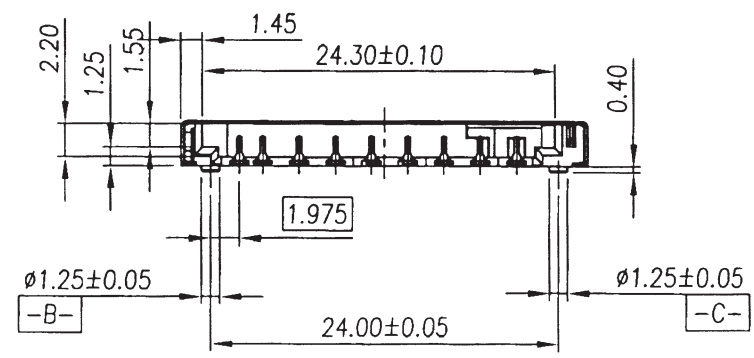
WITHOUT CARD



CARD INSERTED  
WRITE PROTECT : LOCK



CARD INSERTED  
WRITE PROTECT : UNLOCK



How to Order:

XSDC - SD05b - M - 9 - x - B

Plating

S: Sel. gold

S15: Sel. 15u" gold

**RoHS Compliant**

Scale		Drawn by	ANGLIA	<b>XMULTIPLE</b>	
Unit	mm	Checked by	Kevin		
Tolerance		Sheet	1 of 2		
.X ± 0.30		Projection		Name: SD Memory Card connector Push-Push type(big switch#3)	
.XX ± 0.20				Part number	XSDC-SD05b-M-9-x-B
.XXX ± 0.05				Drawing no.	SD05b-M-9-x-B
ANG. =					

