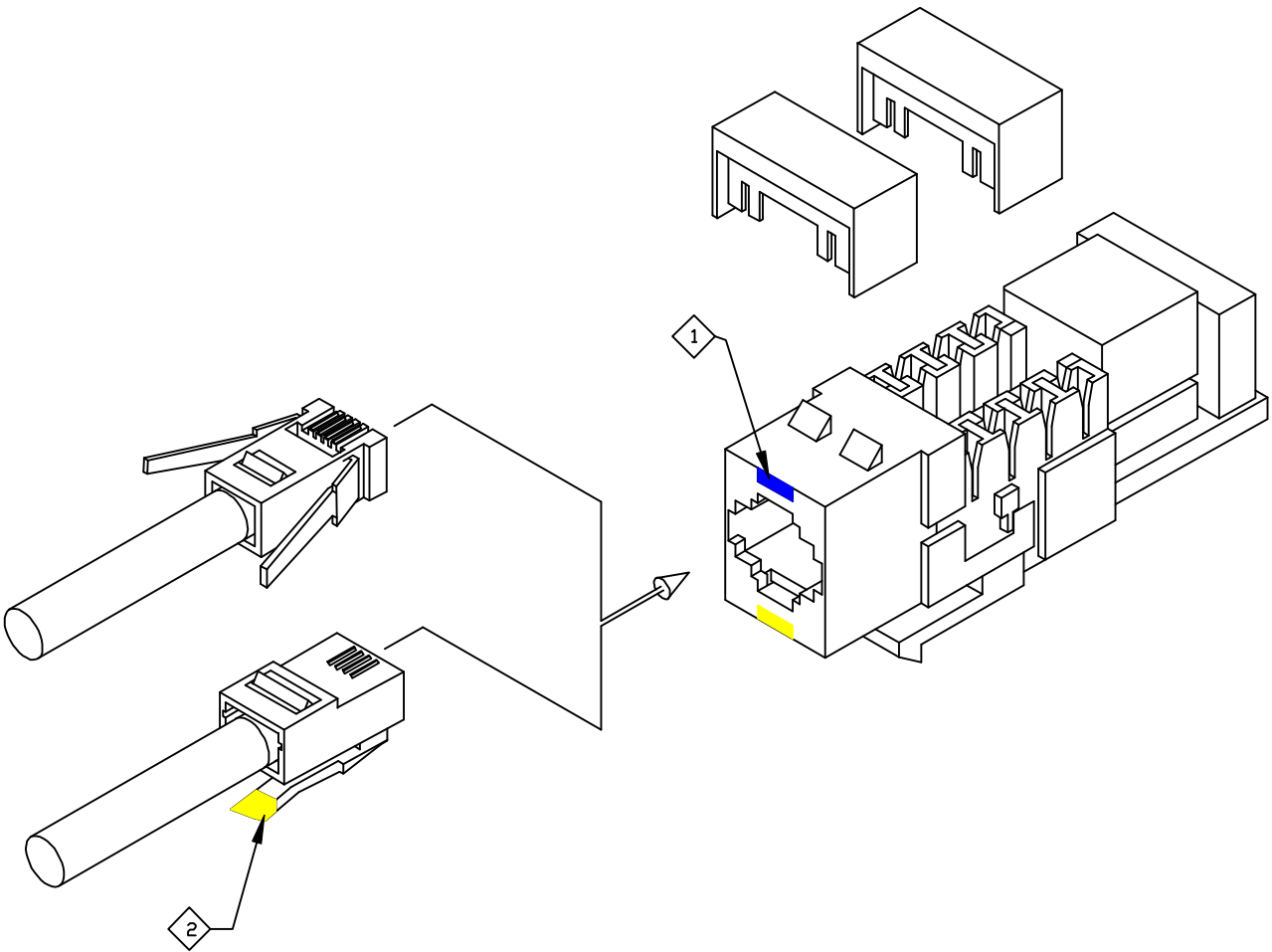


REVISIONS					
ECO	ZONE	REV	DESCRIPTION	DATE	APPROVED
		A	INITIAL RELEASE		

- 1 FEMALE ULTRA PHONE CONNECTOR MUST BE MARKED WITH COLOR CODE AS SHOWN YELLOW = DSL BLUE = TELEPHONE
- 2 MALE RJ11 PLUGS CONNECTOR MUST BE MARKED WITH COLOR CODE AS SHOWN YELLOW = DSL OR WITH BLUE = TELEPHONE



CONFIDENTIAL INFORMATION NOTICE:

THIS DRAWING EMBODIES PROPRIETARY INFORMATION WHICH IS CONFIDENTIAL PROPERTY OF XMULTIPLE TECHNOLOGY AND SHALL NOT BE COPIED, REPRODUCED, DISCLOSED TO OTHERS, OR USED, IN WHOLE OR IN PART, FOR ANY PURPOSE, WITHOUT THE EXPRESS ADVANCE WRITTEN PERMISSION OF XMULTIPLE TECHNOLOGY. THIS DRAWING IS LOANED IN CONFIDENCE AND RECEIPT BY ANY UNAUTHORIZED PERSON SHALL CONSTITUTE ACKNOWLEDGMENT OF AN INTENTIONAL BREACH OF CONFIDENTIAL RELATIONSHIP AND ADMISSION OF LIABILITY FOR AND DAMAGES CAUSED THEREBY. RETURN AFTER USE.

NOTES: UNLESS OTHERWISE SPECIFIED

UNLESS OTHERWISE SPECIFIED DIMENSIONS ARE IN INCHES TOLERANCES ARE: FRACTIONS DECIMALS ANGLES ± 1/64 ± .005 ± 1°		CONTRACT NUMBER		XMULTIPLE	
MATERIAL: SEE NOTES FOR DETAILS		ENGINEER	DATE	3055 OLD CONEJO RD. NEWBURY PARK, CA. 91320 (805) 498-5000	
FINISH: SEE NOTES FOR DETAILS		CHECKED	APPROVED	SIZE C	FSCM NO.
DO NOT SCALE DRAWING		ISSUED		DRAWING NUMBER ULTRA-202F	REV A
				SCALE 4/1	SHEET 1 OF 1