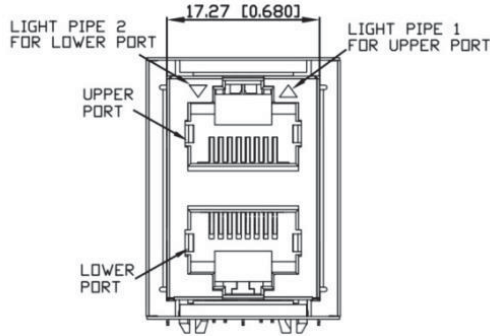
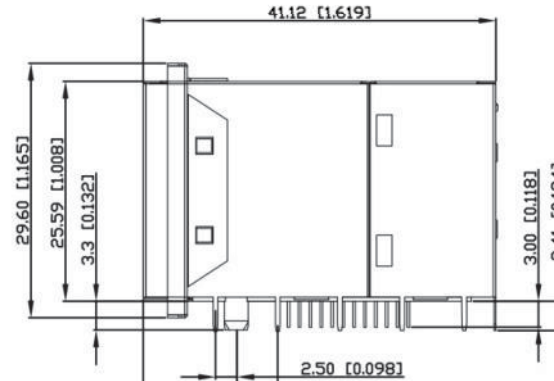


2x1 Stacked 10GB Connector

Front View



Side View



TEST NOTES:(25°±5°C)

1.INSERTION LOSS:

- 0.5dB MAXIMUM AT 1MHz TO 5MHz
- 0.6dB MAXIMUM AT 5MHz TO 200MHz
- 1.0dB MAXIMUM AT 200MHz TO 400MHz
- 3.0dB MAXIMUM AT 400MHz TO 600MHz

2.RETURN LOSS AT THE PHY SIDE:

- 20dB MINIMUM AT 1MHz TO 200MHz
- 15dB MINIMUM AT 200MHz TO 400MHz
- 14dB MINIMUM AT 400MHz TO 600MHz
- 8dB MINIMUM AT 600MHz TO 800MHz

3.CROSS TALK

- 30dB MINIMUM AT 100MHz TO 500MHz

4.CM TO DM REJECTION:

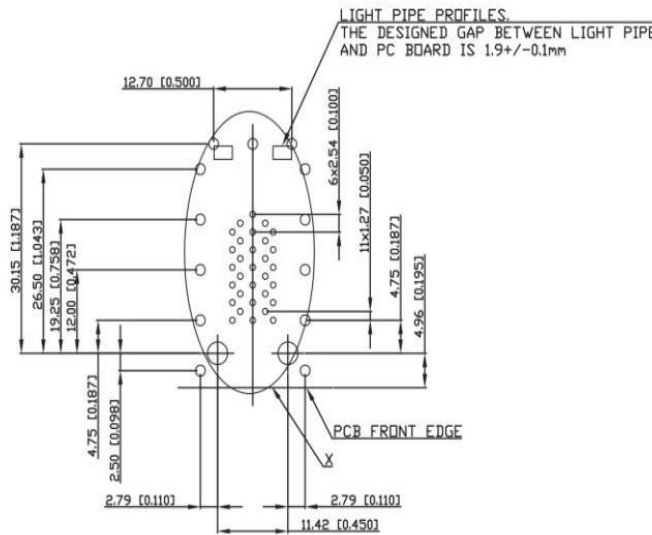
- 30dB MINIMUM AT 1MHz TO 500MHz

5.CM TO CM REJECTION:

- 40dB MINIMUM AT 1MHz TO 100MHz
- 35dB MINIMUM AT 100MHz TO 300MHz
- 30dB MINIMUM AT 300MHz TO 600MHz

6.HIPOT

INPUT TO OUTPUT:1500VAC FOR 60 SECONDS



SUGGESTED PCB LAYOUT
(COMPONENT SIDE VIEW)

PCB LAYOUT

XMULTIPLE

Xmultiple Technologies, Inc.