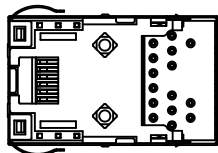
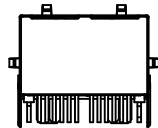
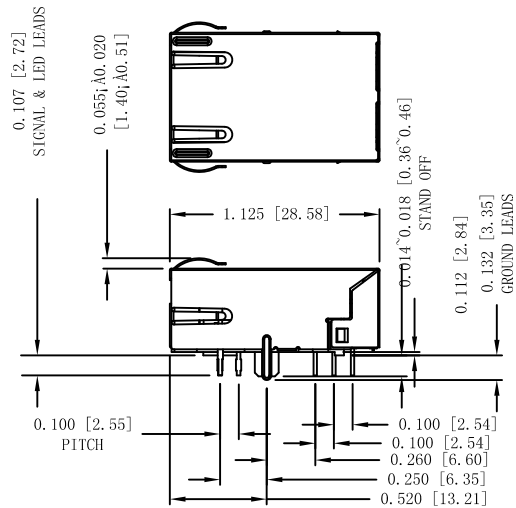
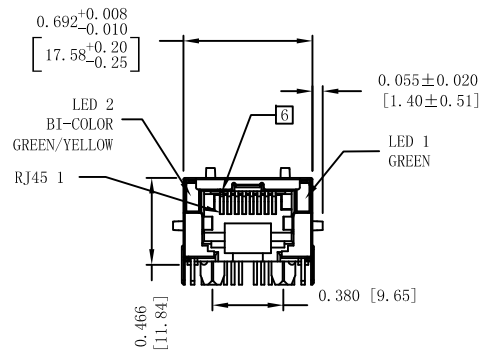


MECHANICAL DIMENSION



1.MATERIALS AND FINISH

HOUSING: NYLON46(GLASS FILED POLYESTER UL94V-0)
 CONTACT: PHOSPHOR BRONZE T=0.46MM ROUND PIN
 PLATING: 30 U" GOLD PLATING OVER NICKEL
 SHIELD: 0.20MM THICKNESS COPPER ALLOY WITH NICKEL PLATED
 PCB RETENTION FLE-SOLDER: 1LB MIN.
 PCB RETENTION POST-SOLDER: 10 LBS MIN.
 TAILS: 150U"~200U" TIN-LEAD MIN.OVER30U"~50U" NICKEL(ROHS6)

2.MECHANICAL CHARACTERISTICS

DURABILITY: 750(MODULAR JACK) INSERTION/PLUG DIMENSION CYCLES AT MIN.RATE OF 120 CYCLES PER MINUTE.

3.ELECTRICAL

CONTACT RESISTANCE: 30 MILLIOHMS MAX.
 INSULATION RESISTANCE: 500 MEGOHMS MIN. @500 VDC.
 DIELECTRIC STRENGTH: 1500 VAC RMS 60HZ,1MIN.

4.ENVIRONMENTAL

OPERATING TEMPERATURE: 0? ~+70?
 STORAGE TEMPERATURE: -40? ~+85?

5.DESIGN AND CONSTRUCTION

COMPLIES WITH IEEE802.3AN STANDARDS AND 10G ETHERNET SPECCIFICATIONS
 MATES WITH MODULAR PLUG CONFORMING TO FCC PACT 68 SUBPART F.

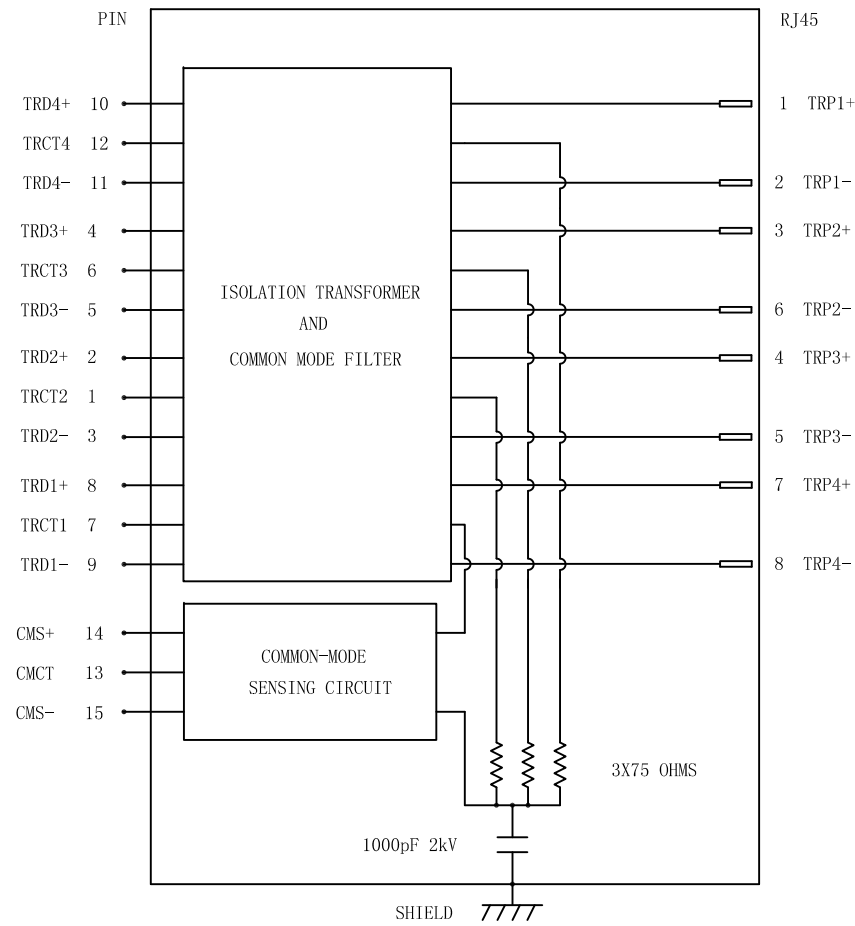
REMARK: THIS PROJECT ON THE DESIGN STAGE , HAVE NO THE PRODUCTION TOOLING FOR THE PRODUCT BUILD.

TITLE 10 gigabit Base-T Single Port RJ45					
PART NO. XMH-9772XXXX			GENERAL TOLERANCE		UNIT:MM (INCH)
DRAW	DATE	.X±0.20	.X±1°	SCALE: 1:1	SHEET: 4/6
CHECK	DATE	.XX±0.15	.XX±5°		
APPROVE	DATE	.XXX±0.10			
				SIZE: A4	REV:A

PRODUCT DRAWING

1 2 3 4 5 6 7 8

H
G
F
E
D
C
B
A



ELECTRICAL CHARACTERISTICS @ 25° C

TURNS RATIO		
CHANNEL 1 TO CHANNEL 4		ICT : 1CT ±3%
INS. LOSS (MAX)		
1MHz TO 20MHz		-0.8 dB
50MHz		-1.0 dB
200MHz		-1.2 dB
400MHz		-2.0 dB
500MHz		-3.0 dB
RET. LOSS (MIN) @ 100 OHMS		
1MHz		-18 dB
2MHz		-20 dB
10MHz		-20 dB
100MHz		-20 dB
200MHz		-18 dB
300MHz		-15 dB
400MHz		-10 dB
500MHz		-8 dB
CM TO CM REJ		
1MHz - 500MHz		-25 dB MIN
CM TO DM REJ		
1MHz - 500MHz		-25 dB MIN
HIPOT (Isolation Voltage):		2250 VDC

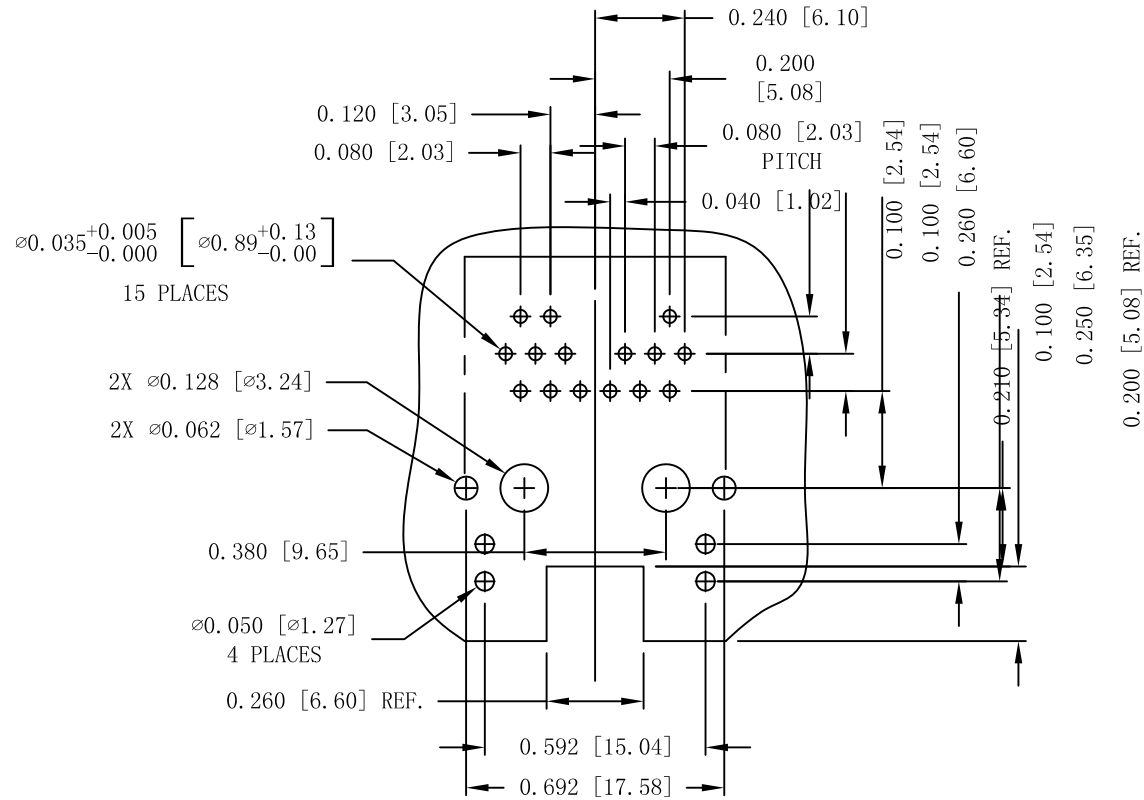
SUPPORT 10G PHY :
INTER X540-AT2 PHY

TITLE 10 gigabit Base-T Single Port RJ45										
PART NO. XMH-9772XXXX					GENERAL TOLERANCE			UNIT:MM (INCH)	SIZE: A4	
DRAW		DATE		.X±0.20	.X±1°	SCALE: 1:1	SHEET: 3/6	REV:A		
CHECK		DATE		.XX±0.15	.XX±5°					
APPROVE		DATE		.XXX±0.10						

PRODUCT DRAWING

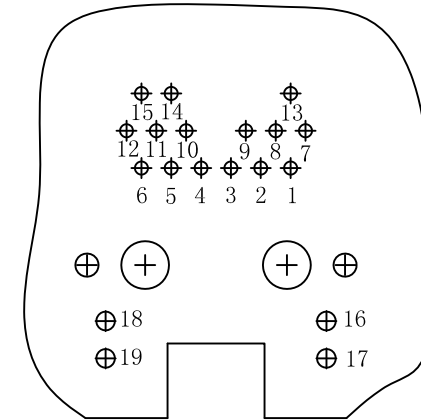
RECOMMENDED PCB LAYOUT AND LED:

UNIT: (inch/mm)



RECOMMENDED PCB FOOTPRINT

COMPONENT SIDE VIEW



RECOMMENDED PCB FOOTPRINT

COMPONENT SIDE VIEW

REMARK:

PIN1 TO PIN15 IS SIGNAL FOOTPRINT.
PIN16 TO PIN19 IS LED FOOTPRINT.

TITLE 10 gigabit Base-T Single Port RJ45					
PART NO. XMH-9772XXXX			GENERAL TOLERANCE		UNIT:MM (INCH)
DRAW	DATE	.X±0.20	.X±1°	SCALE: 1:1	SHEET: 5/6
CHECK	DATE	.XX±0.15	.XX±5°		
APPROVE	DATE	.XXX±0.10			
				SIZE: A4	REV:A

PRODUCT DRAWING