



SPECIFICATION FOR APPROVAL

MARKETING GROUP	R&D GROUP	QA GROUP
ISSUED BY	CHECKED BY	QA INSPECTION
Star Yan	Weide Li	Tian Ming

CUSTOMER

CUSTOMER APPROVAL:

APPROVAL CONCESSIONARY REJECTED

ISSUED BY : _____

CHECKED BY: _____

APPROVED BY: _____

COMMENTS : _____

CUSTOMER: _____

CUSTOMER PART NO: _____

SAMPLE Q'TY: _____

TITLE: 10GIGABIT RJ45 1X1 TAB DOWN WITH LED					
PART NO. XMG-9771-AAR1121-353-ITL				GENERAL TOLERANCE	
DRAW	Star	DATE	2015-07-01	.X±0.25	.X±1°
CHECK	Eric	DATE	2015-07-01	.XX±0.15	.XX±0.5°
APPROVE	De	DATE	2015-07-01	.XXX±0.10	
				SCALE: 1:1	
			UNIT:MM (INCH)	SHEET: 1/7	SIZE: A4
				REV:A	

PRODUCT DRAWING (B)

SCHEMATIC:

LED 1 POLARITY				LED 2 POLARITY		
L1	L2	L3	COLOR	L5	L6	COLOR
-	+	/	YELLOW	-	+	GREEN
/	+	-	GREEN	/	/	/



ELECTRICAL CHARACTERISTICS @ 25°C

TURN RATIO:

- (P11-P10):(J1-J2)=1:1 ±3%.
- (P4-P5):(J3-J6)=1:1 ±3%.
- (P3-P2):(J4-J5)=1:1 ±3%.
- (P8-P9):(J7-J8)=1:1 ±3%.

PRIMARY INDUCTANCE:

100uH MIN.@100KHz,100mV

Insertion Loss:

1MHz~20MHz	-0.8dB MAX.
50MHz	-1.0dB MAX.
200MHz	-1.2dB MAX.
400MHz	-2.0dB MAX.
500MHz	-3.0dB MAX.

Return Loss: (Load:100 ohms)

1MHz~40 MHz	-22dB MIN.
40MHz~100MHz	-20dB MIN.
100MHz~200 MHz	-18dB MIN.
200MHz~300 MHz	-15dB MIN.
300MHz~400 MHz	-10dB MIN.
400MHz~500 MHz	-8dB MIN.

CM to CM Rejection:

1MHz~500 MHz -20dB MIN.

CM to DM Rejection:

1MHz~250MHz -30dB MIN.
250MHz~500 MHz -22dB MIN.

Cross Talk:

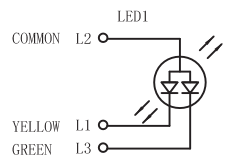
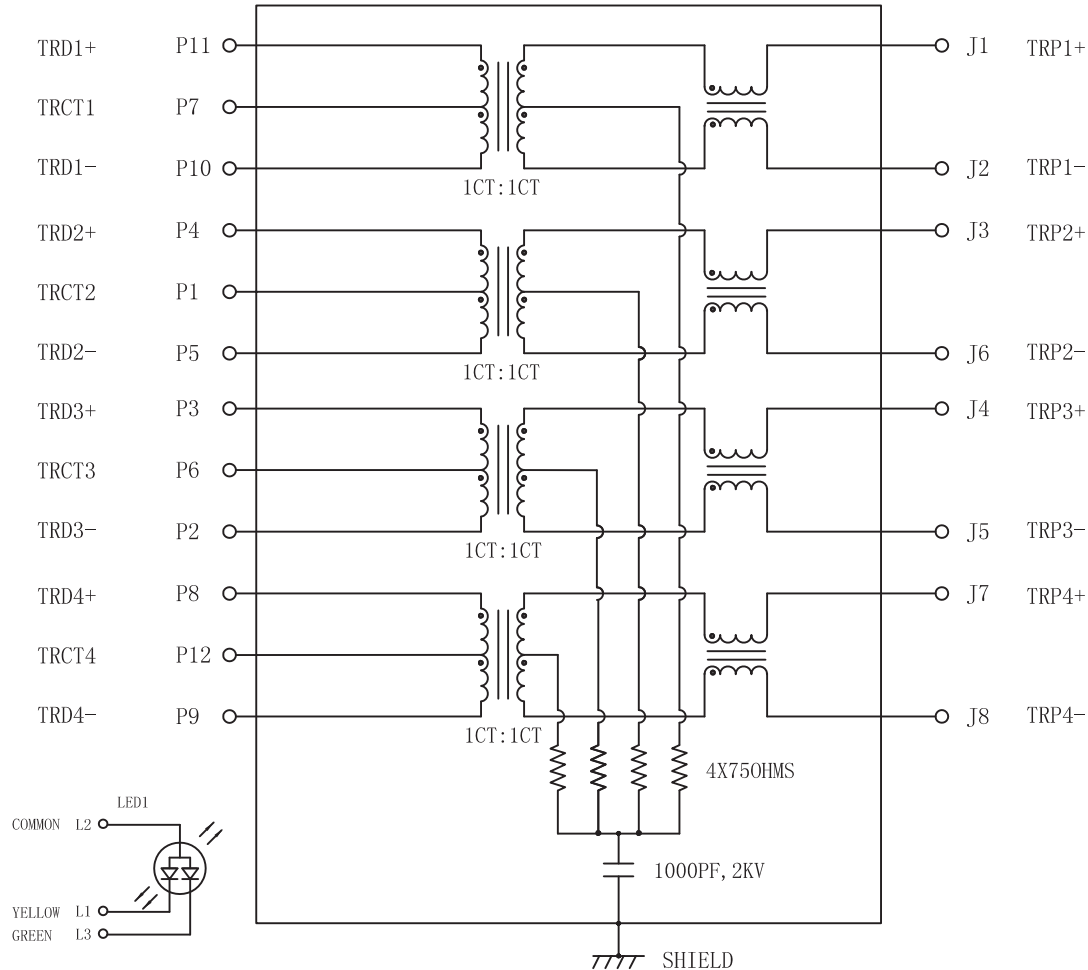
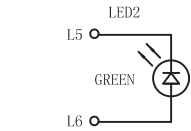
1MHz~100MHz -30dB MIN.
100MHz~500MHz -20dB MIN.

HI-POT TEST:

PCB SIDE TO CABLE SIDE AND SHIELD 2250V DC 60 SECOND

LED ELECTRICAL / OPTICAL CHARACTERISTICS:

COLOR	IF	VF (FORWARD VOLTAGE)	λ D DOMINANT WAVELENGTH
GREEN	20mA	2.2 V	565nm
YELLOW	20mA	2.1 V	590nm

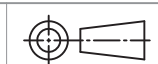


TITLE: 10GIGABIT RJ45 1X1 TAB DOWN WITH LED



PART NO. XMG-9771-AAR1121-353-ITL

GENERAL TOLERANCE



UNIT:MM (INCH) SIZE: A4

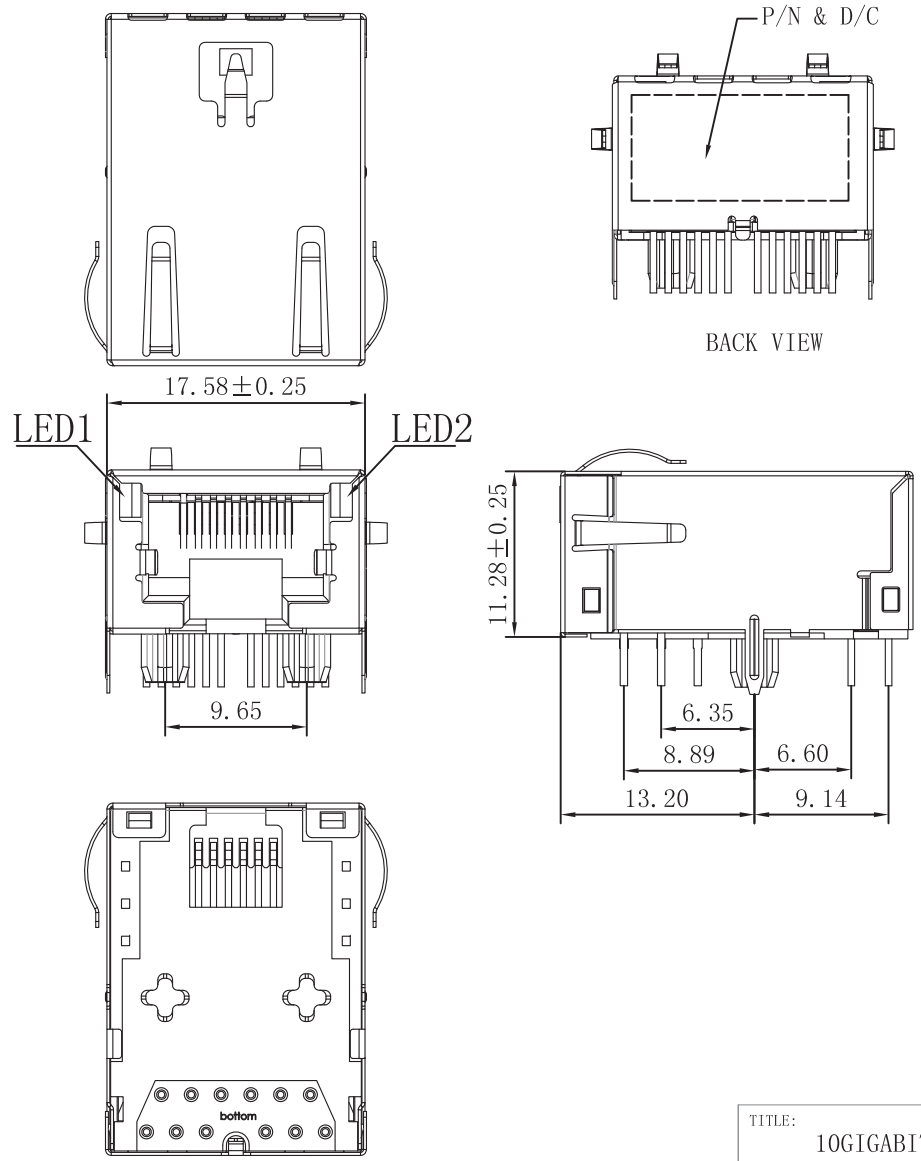
DRAW	Star	DATE	2015-07-01	.X±0.25	.X±1°
CHECK	Eric	DATE	2015-07-01	.XX±0.15	.XX±0.5°
APPROVE	De	DATE	2015-07-01	.XXX±0.10	

SCALE: 1:1 SHEET: 3/7 REV:A

PRODUCT DRAWING



MECHANICAL DIMENSION



1. MATERIALS AND FINISH

PLASTIC HOUSING: THERMOPLASTIC PA46 FLAMMABILITY RATING UL94V-0.
 (COLOR: PANTONE BLACK)
 CONTACT: PHOSPHOR BRONZE T=0.35MM FLAT PIN
 PLATING: 30u" GOLD PLATING OVER NICKEL
 SHIELD: 0.20MM THICKNESS COPPER ALLOY WITH NICKEL PLATED
 PCB RETENTION FRET-SOLDER: 1LB MIN.
 SIGNAL PINS & LED PINS: 100U" TIN(SN) PLATING FINISH MIN.
 OVER NICKEL(RoHS6)

2. MECHANICAL CHARACTERISTICS

DURABILITY: 750(MODULAR JACK) INSERTION/PLUG DIMENSION CYCLES

3. ELECTRICAL

CONTACT RESISTANCE: 30 MILLIOHMS MAX.
 INSULATION RESISTANCE: 500 MEGOHMS MIN.
 DIELECTRIC STRENGTH: 2250 V DC.

4. ENVIRONMENTAL

OPERATING TEMPERATURE: 0°C~+70°C
 STORAGE TEMPERATURE: -40°C~+85°C

5. DESIGN AND CONSTRUCTION

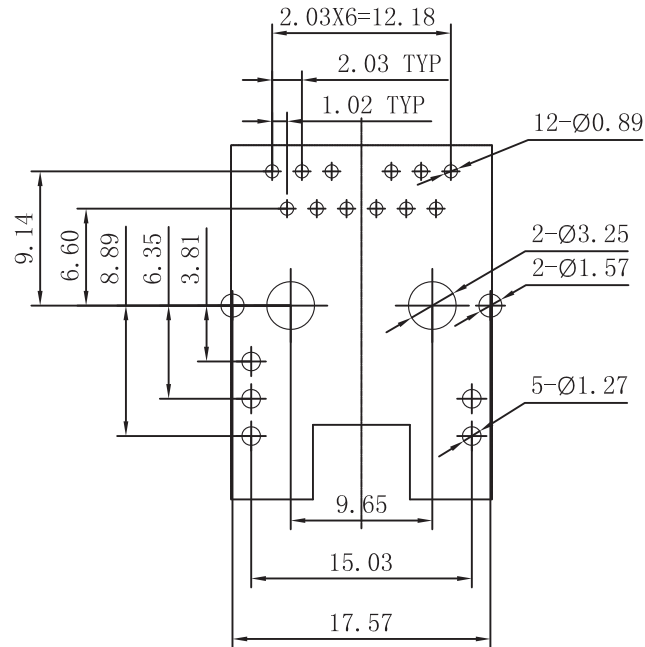
COMPLIES WITH IEEE802.3 STANDARDS AND ALL 10/100/1000 ETHERNET SPECIFICATIONS
 MATES WITH MODULAR PLUG CONFORMING TO FCC PART 68 SUBPART F.

TITLE: 10GIGABIT RJ45 1X1 TAB DOWN WITH LED								
PART NO. XMG-9771-AAR1121-353-ITL								GENERAL TOLERANCE
DRAW	Star	DATE	2015-07-01	.X±0.25	.X±1°	SCALE: 1:1	SHEET: 4/7	REV:A
CHECK	Eric	DATE	2015-07-01	.XX±0.15	.XX±0.5°			
APPROVE	De	DATE	2015-07-01	.XXX±0.10				

PRODUCT DRAWING (B)

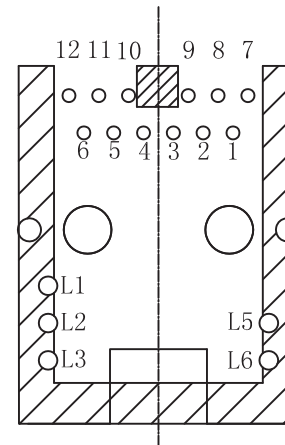


RECOMMENDED PCB LAYOUT AND LED: UNIT: (mm)



RECOMMENDED PCB FOOTPRINT

COMPONENT SIDE VIEW



PIN-OUT INFORMATION

NOTES:

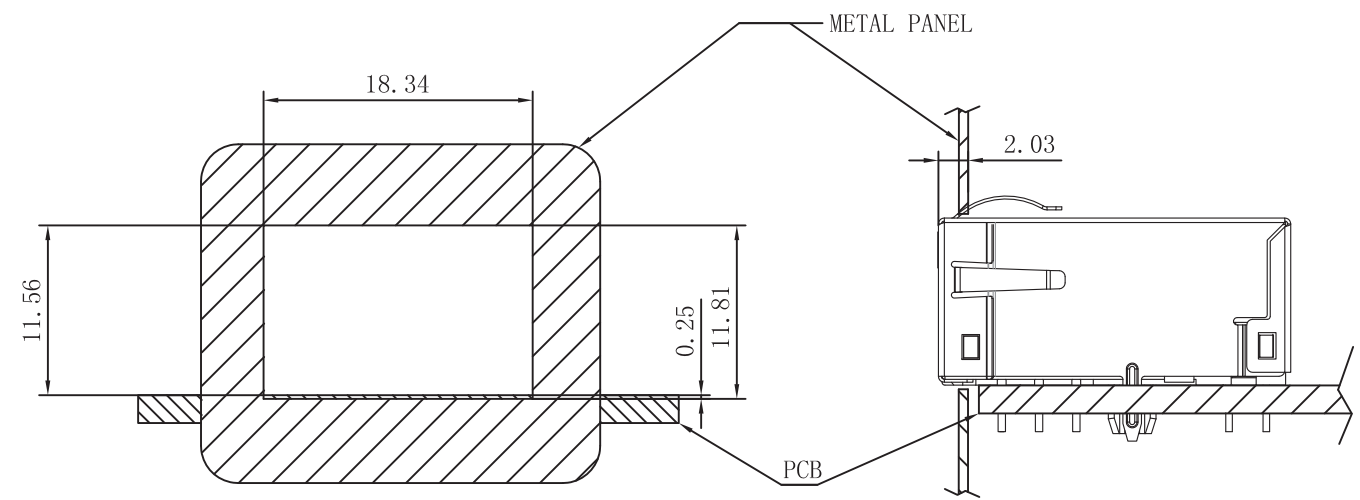
THE SHADED AREA ON THE CUSTOMER BOARD ARE RECOMMENDED TO BE CLEAR OFF ANY VIA HOLE OR COMPONENT PAD.

TITLE: 10GIGABIT RJ45 1X1 TAB DOWN WITH LED								
PART NO. XMG-9771-AAR1121-353-ITL								GENERAL TOLERANCE
DRAW	Star	DATE	2015-07-01	.X±0.25	.X±1°	SCALE: 1:1	SHEET: 5/7	REV:A
CHECK	Eric	DATE	2015-07-01	.XX±0.15	.XX±0.5°			
APPROVE	De	DATE	2015-07-01	.XXX±0.10				

PRODUCT DRAWING (B)



SUGGESTED PANEL OPENING



NOTE:

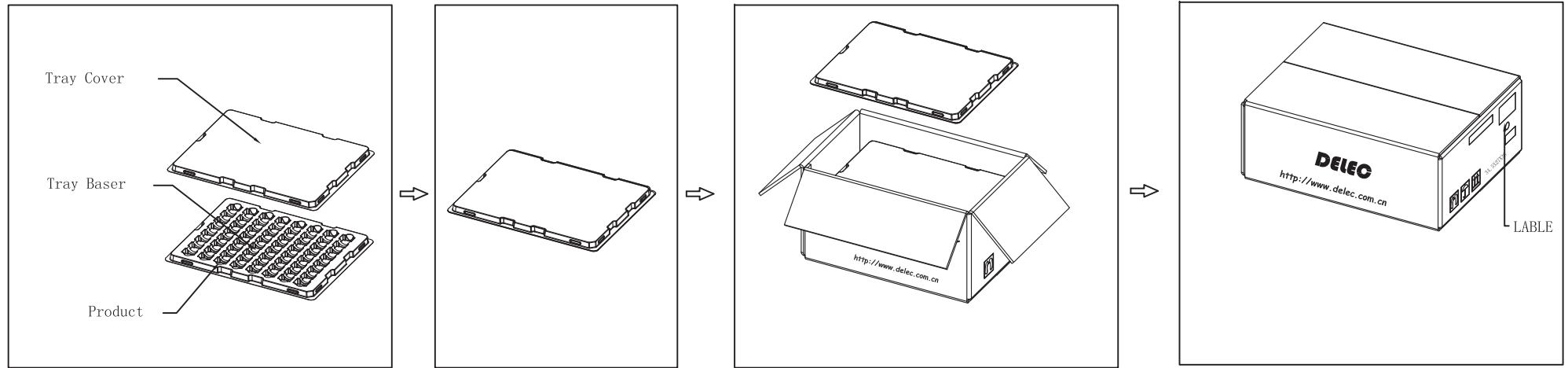
THE DISTANCE OF PANEL INSIDE SURFACE RELATIVE TO FRONT SURFACE OF PART IS ONLY A SUGGESTION.
 IN CASE THIS DISTANCE IS DIFFERENT, THE REQUIRED PANEL OPENING DIMENSIONS CHANGE ACCORDINGLY.

TITLE: 10GIGABIT RJ45 1X1 TAB DOWN WITH LED								
PART NO. XMG-9771-AAR1121-353-ITL				GENERAL TOLERANCE			UNIT:MM (INCH)	SIZE: A4
DRAW	Star	DATE	2015-07-01	.X±0.25	.X±1°	SCALE: 1:1	SHEET: 6/7	REV:A
CHECK	Eric	DATE	2015-07-01	.XX±0.15	.XX±0.5°			
APPROVE	De	DATE	2015-07-01	.XXX±0.10				

PRODUCT DRAWING (B)



PACKAGE INFORMATION AND LABLE



PACKING QUANTITY : 70 PCS FINISHED GOODS PER TRAY
 14 TRAYS (980 PCS FINISHED GOODS) PER CARTON BOX

TITLE: 10GIGABIT RJ45 1X1 TAB DOWN WITH LED								
PART NO. XMG-9771-AAR1121-353-ITL								GENERAL TOLERANCE
DRAW	Star	DATE	2015-07-01	.X±0.25	.X±1°	SCALE: 1:1	SHEET: 7/7	REV:A
CHECK	Eric	DATE	2015-07-01	.XX±0.15	.XX±0.5°			
APPROVE	De	DATE	2015-07-01	.XXX±0.10				

PRODUCT DRAWING (B)