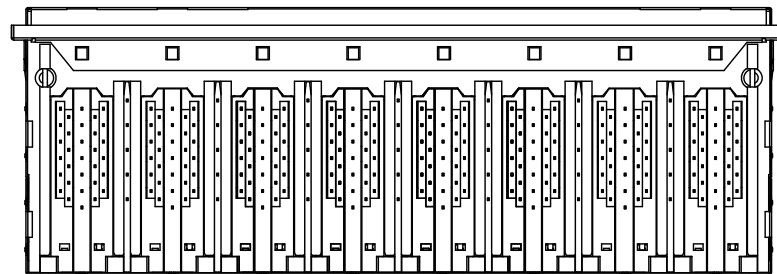
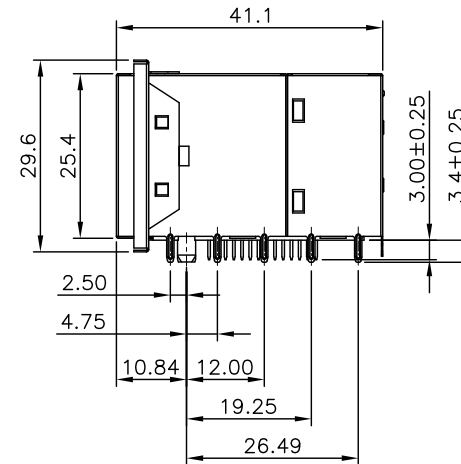
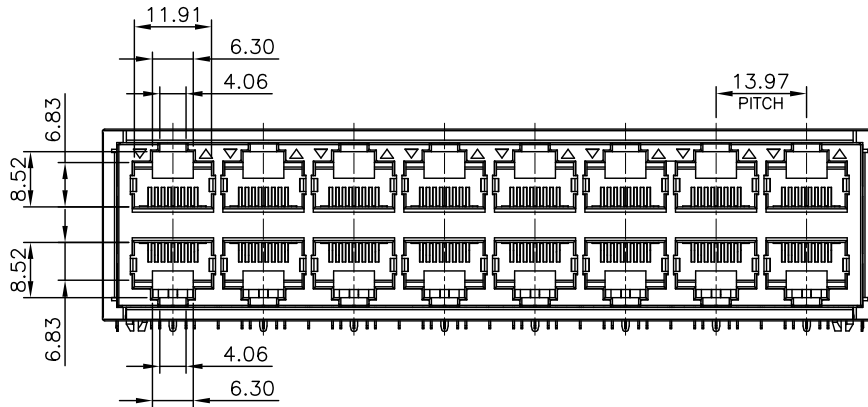
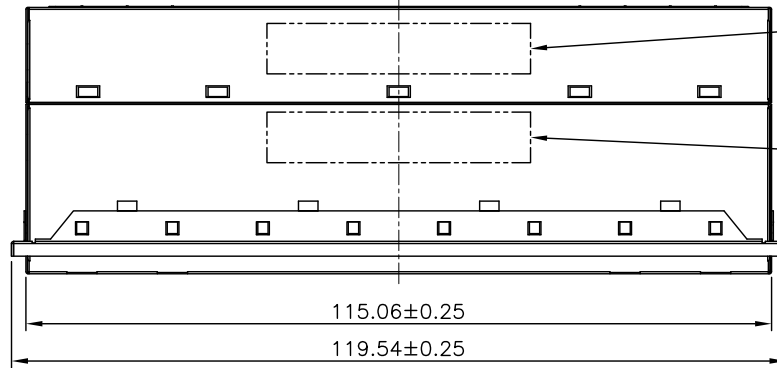


RoHS Compliance

PROPOSAL



THIS DRAWING IS A CONTROLLED DOCUMENT.
DO NOT SCALE DRAWING.

DIMENSIONS: MM	TOLERANCES UNLESS OTHERWISE SPECIFIED:
	0 PLC ± - 1 PLC ± 0.25 2 PLC ± 0.13 3 PLC ± 0.05 ANGLES ± -
THIRD ANGLE PROJECTION	
MATERIAL SEE NOTES	FINISH SEE NOTES
DWN <i>A.HUANG</i>	DATE NOV-05-2014
CHK <i>M.CHANG</i>	NOV-05-2014
APVD <i>W.J.YANG</i>	-

XMULTIPLE

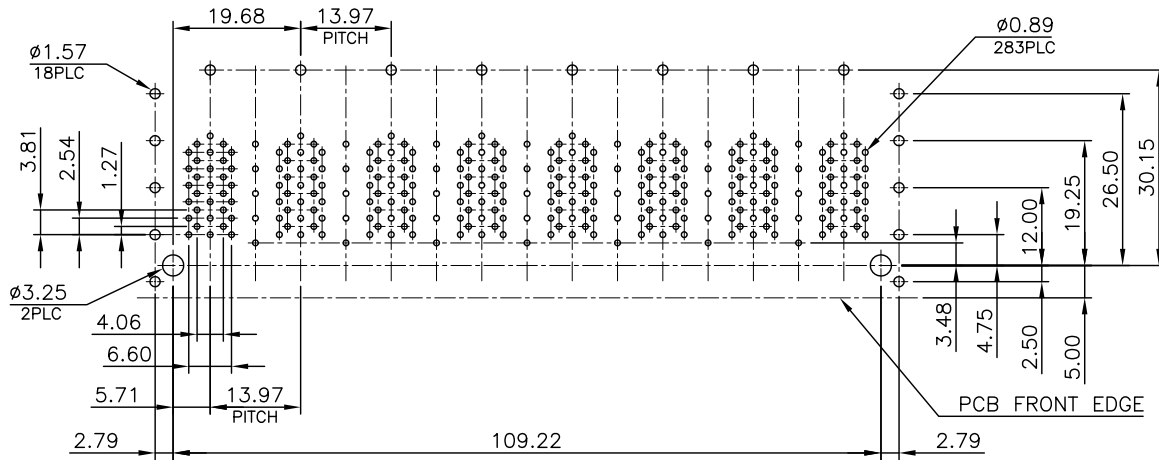
TITLE STACK RJ45, 2X8 WITH 10G MBPS,
LAN MAGNETICS, W/LIGHT PIPE, 8P12C,
SHELL, SHRU HOLE

REVISIONS	DESCRIPTION	DATE	APVD
△	-	-	-
LTR	DESCRIPTION	DATE	APVD

SIZE A3	CAUGE CODE -	DRAWING NO 9812XX
WEIGHT -	GRAMS Ref.	REV A
		SHEET 1

RoHS Compliance

PROPOSAL



RECOMMENDED PCB LAYOUT
 PCB THICKNESS: 1.6mm
 TOLERANCE: ±0.05mm (TOP VIEW)

NOTE:

CAVITY CONFIRMS TO FCC RULES AND REGULATIONS PART 68, SUBPART F.

1. MATERIAL:

- 1.1 HOUSING: PA9T, WITH GLASS FIBER, UL94V-0, STANDARD COLOR-BLACK.
- 1.2 INSERT COVER: PA9T, WITH GLASS FIBER, UL94V-0, STANDARD COLOR-BLACK.
- 1.3 BASE: PA9T, WITH GLASS FIBER, UL94V-0, STANDARD COLOR-BLACK.
- 1.4 LIGHT PIPE: PC, UL94V-2, STANDARD COLOR-TRANSPARENCY.
- 1.5 RJ CONTACTS: PHOSPHOR BRONZE OR BRASS.
- 1.6 RJ SEPTA: BRASS.
- 1.7 EMI SEPTA: BRASS.
- 1.8 CENTRAL SEPTA: BRASS.
- 1.9 OUT SHELL: STAINLESS.
- 1.10 FRONT SHELL: BRASS.
- 1.11 REAR SHELL: BRASS.

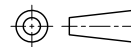
2. FINISH:

- 2.1 RJ CONTACTS: GOLD PLATED ON CONTACT AREA, 2.54μm [100μ"] TIN PLATED ON SOLDER TAIL, 1.27μm [50μ"] MIN. NICKEL UNDERPLATED OVERALL.
- 2.2 RJ SEPTA: 0.508μm [20μ"] MIN. NICKEL PLATED.
- 2.3 EMI SEPTA: 0.508μm [20μ"] MIN. NICKEL PLATED.
- 2.4 CENTRAL SEPTA: 0.508μm [20μ"] MIN. NICKEL PLATED.
- 2.5 OUT SHELL: 0.508μm [20μ"] MIN. NICKEL PLATED.
- 2.6 FRONT SHELL: 0.508μm [20μ"] MIN. NICKEL PLATED.
- 2.5 BACK SHELL: 0.508μm [20μ"] MIN. NICKEL PLATED.

THIS DRAWING IS A CONTROLLED DOCUMENT.
DO NOT SCALE DRAWING.

DIMENSIONS:
MM

TOLERANCES UNLESS
OTHERWISE SPECIFIED:



THIRD ANGLE PROJECTION

0 PLC	± -
1 PLC	± -
2 PLC	± -
3 PLC	± -
ANGLES	± -

MATERIAL

FINISH

SEE NOTES

SEE NOTES

DWN

A.HUANG

DATE

NOV-05-2014

CHK

M.CHANG

DATE

NOV-05-2014

APVD

W.J.YANG

SIZE

A3

CAUGE CODE

-

DRAWING NO

9812XX

WEIGHT

-

GRAMS Ref.

REV

-

SHEET

2

XMULTIPLE

TITLE STACK RJ45, 2X8 WITH 10G MBPS,
LAN MAGNETICS, W/LIGHT PIPE, 8P12C,
SHELL, SHRU HOLE

LTR	DESCRIPTION	DATE	APVD
REVISIONS			

RoHS Compliance

9812 TRANSFORMER TYPE F

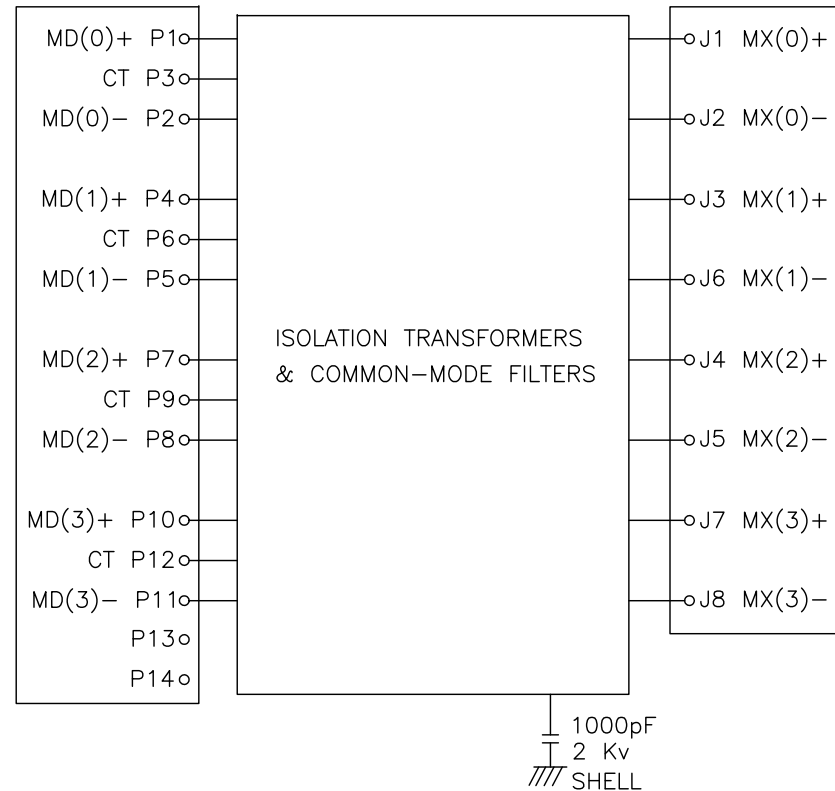
ELECTRICAL CHARACTERISTICS

TEST NOTES:(25°±5°C)

1. INSERTION LOSS:
 - 0.5dB MAXIMUM AT 1MHz TO 5MHz
 - 0.6dB MAXIMUM AT 5MHz TO 200MHz
 - 1.0dB MAXIMUM AT 200MHz TO 400MHz
 - 3.0dB MAXIMUM AT 400MHz TO 600MHz
2. RETURN LOSS AT THE PHY SIDE:
 - 20dB MINIMUM AT 1MHz TO 200MHz
 - 15dB MINIMUM AT 200MHz TO 400MHz
 - 14dB MINIMUM AT 400MHz TO 600MHz
 - 8dB MINIMUM AT 600MHz TO 800MHz
3. CROSS TALK:
 - 30dB MINIMUM AT 100MHz TO 500MHz
4. CM TO DM REJECTION:
 - 30dB MINIMUM AT 1MHz TO 500MHz
5. CM TO CM REJECTION:
 - 40dB MINIMUM AT 1MHz TO 100MHz
 - 35dB MINIMUM AT 100MHz TO 300MHz
 - 30dB MINIMUM AT 300MHz TO 600MHz
6. HIPOT:
 - INPUT TO OUTPUT : 1500VAC FOR 60 SECONDS

LAN CHIP SIDE

RJ CABLE SIDE

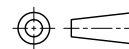


CONNECTOR SCHEMATIC

THIS DRAWING IS A CONTROLLED DOCUMENT.
DO NOT SCALE DRAWING.

DIMENSIONS:
MM

TOLERANCES UNLESS
OTHERWISE SPECIFIED:



THIRD ANGLE PROJECTION

0 PLC ± -
1 PLC ± -
2 PLC ± -
3 PLC ± -
ANGLES ± -

MATERIAL

FINISH

SEE NOTES

SEE NOTES

△	-	-	-
LTR	DESCRIPTION	DATE	APVD
REVISIONS			

DWN	A.HUANG	DATE	NOV-05-2014
CHK	M.CHANG	DATE	NOV-05-2014
APVD	W.J.YANG	DATE	-

XMULTIPLE

TITLE STACK RJ45, 2X8 WITH 10G MBPS,
LAN MAGNETICS, W/LIGHT PIPE, 8P12C,
SHELL, SHRU HOLE

SIZE	A3	CAUSE CODE	-	DRAWING NO	9812XX
WEIGHT	-	GRAMS Ref.	-	REV	-
					SHEET 3